

SPOTLIGHT

LIGHT MOVES FAST, CATCH SATCO'S MOST RECENT PRODUCT INTRODUCTIONS INSIDE!



TABLE OF CONTENTS

ITEM	PAGE/S
Smart LED, Remote Controlled LED or TV Traditional String Lights	2-5
CCT and Wattage Selectable Hi-Pro LED A Plus Lamps	6-9
CCT and Wattage Selectable LED HID Replacement Lamps	10-13
LED HID Replacement Lamps	14-17
CCT and Wattage Selectable Wall Pack Lamps	18-21
Hi-Pro LED Hight Bay/Low Bay Lamps	22-25
LED Hybrid Type A/Type B T8 Linear Lamps	26-27
CCT Selectable T8 Type A & Type B Lamps	28-29
4' LED T8 347V Ballast Bypass Lamps	30-31
LED BR30 Lamp 2-Pack Floor & Counter Displays	32
LED BR40 Floor & Counter Displays	33
LED Garage/Utility Light loor & Counter Display	34
LED A19 Lamp 8-Pack Floor and Counter Display	35
Expanded Line of LED COLORQUICK® Downlight Retrofits	36-37
LED CCT Selectable Gimbal Downlights with New Trim Finishes	38-39
Directional Gimbal LED CCT Selectable Remote Driver Downlights	40-41
4" LED Surface Mount Fixtures	42-43
CCT Selectable and Dedicated CCT Contractor Packs	44-47
CCT Selectable LED Utility Fixtures	48-49
2' & 4' LED Double Strip Lights	50-51
Indoor/Outdoor LED Gooseneck Fixtures	52-53
LED Area Lights	54-57
LED CCT Selectable Small Rectangular Wall Packs	58-59
CCT & Wattage Selectable LED Wall Packs	60-61
Color Selectable Round Canopy Fixture	62-63
LED Square, Low Profile Canopy Fixtures	64-65
LED Adjustable Vapor Tight Fixtures	66-67
Selectable Strips with Integrated EM Battery Back Up & Microwave Sensor	68-69
LED Designer Pro Series Track Heads	70-73
Starfish Smart LED Security Floodlight	74-75



SOMETIMES ALL IT TAKES IS A LITTLE LIGHT TO CREATE A SPECIAL MOMENT. SATCO STRING LIGHTS.



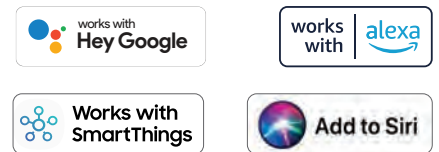
STARFISH SMART LED INDOOR/OUTDOOR STRING LIGHTS



STARFISH
 live life enlightened

Wi-Fi Enabled, multi-function system with infinite color options
 Mobile app or voice control
 Dimmable with app.**
 12-15 Smart LED bulbs included
 Connect up to 144+ feet, 3 sets max.
 For residential and commercial use
 Heavy duty 18 gauge wire
 Easy installation and setup
 3 Year warranty

WIFI 2.4GHZ NO HUB NEEDED



Item	Description	BULBS		FIXTURES							
		#	Incl. W	Connectible Units	CCT Selectable	W	V	Finish	Life/Hrs.	UPC	M/Case Qty.
S11290*	24FT/LED/SL/S14/SF/RGBW	12	1	3	2700K-5000K	12	120	Black	15,000	045923112904	4
S11291*	48FT/LED/SL/S14/SF/RGBW	15	1	3	2700K-5000K	15	120	Black	15,000	045923112911	4
S11292	24FT/LED/SL/S14/SF/TW	12	1	3	2700K-5000K	12	120	Black	15,000	045923112928	4

**Not compatible with in wall dimmers *144 is 3 sets of S11291

CONTINUED →



REMOTE CONTROLLED LED INDOOR/OUTDOOR STRING LIGHTS

- Color changing
- 12-15 Color changing LED bulbs included
- Change colors with 9 function infrared wireless remote
- No wifi needed
- Changeable colors: red, green, blue, yellow, purple, light blue, orange, white and many more
- Energy efficient
- Connect up to 144+ feet, 3 sets max. using 1W LED bulbs
- For residential and commercial use
- Heavy duty 18 gauge wire
- Easy installation
- 3 Year warranty



Wireless remote functions:



Pin plug in for multiple set connectivity

INFRARED WIRELESS REMOTE CONTROLLED

COLOR CHANGEABLE



Item	Description	BULBS		FIXTURES							M/Case Qty.
		#	Incl. W	Connectible Units	CCT	W	V	Finish	Life/Hrs.	UPC	
S8031	24FT/LED/SL/S14/IRR/RGBW/12V	12	1	3	2700K-5000K	12	120	Black	15,000	045923080319	4
S8033*	48FT/LED/SL/S14/IRR/RGBW/12V	15	1	3	2700K-5000K	15	120	Black	15,000	045923080333	4

*3 sets of S8033

Not for use with dimmers. Mounting hardware not included

• FAMILY ROOMS • DECKS • PATIOS • PORCHES



LED INDOOR/OUTDOOR STRING LIGHTS

- 24' Includes 12 bulbs
- 60' Includes 24 bulbs
- Connect up to 300+
- Warm white 2200K-2700
- Energy efficient
- For residential and commercial use
- Heavy duty 18 gauge wire
- Easy installation
- 3 Year warranty



S8027
S14 Replacement
Bulbs Available



Standard plug in

WARM WHITE
BLANCO CÁLIDO / BLANC CHAUD

STANDARD PLUG IN
ON AND OFF ONLY



Item Description	BULBS		FIXTURES							
	#	Incl. W	Connectible Units	CCT	W	V	Finish	Life/Hrs.	UPC	M/Case Qty.
S8020 24FT/LED/SL/S14/827K/120V	12	1	30	2700K	12	120	Black	15,000	045923080203	4
S8030 24FT/LED/SL/S14/822K/120V	12	1	10	2200K	12	120	Black	15,000	045923080302	4
S8032 60FT/LED/SL/S14/822K/120V	24	1	5	2200K	24	120	Black	15,000	045923080326	4
S8034 24FT/LED/SL/G25/822K/120V	12	2	7	2200K	24	120	Black	15,000	045923080340	4
S8036 24FT/VINT/SL/ST19/120V	12	2	7	2200K	24	120	Black	15,000	045923080364	4
S8037 24FT/LED/SL/S14/822K/2PK/120V	24	2	7	2200K	24	120	Black	15,000	045923080371	4
S8038 24FT/LED/SL/S14/822K/WH/120V	12	1	10	2200K	24	120	White	15,000	045923080388	4

Not for use with dimmers. Mounting hardware not included. *300' is 5 sets of S8032



INCANDESCENT INDOOR/OUTDOOR STRING LIGHTS

- Includes 12 incandescent S14 bulbs
- Connect up to 72 feet, 3 sets max. using 11 Watt incandescent bulbs
- Warm white 2850K
- For residential and commercial use
- Heavy duty 18 gauge wire
- Easy installation
- 3 Year warranty



S3965
S14 Replacement
Bulbs Available



Standard plug in

WARM WHITE
BLANCO CÁLIDO / BLANC CHAUD

STANDARD PLUG IN
ON AND OFF ONLY



Item Description	BULBS			FIXTURES								
	#	Incl.	W	V	Connectible Units	CCT	W	V	Finish	Life/Hrs.	UPC	M/Case Qty.
S8035 24FT/INCD/SL/S14/120V	12	11	120		3	2850K	132	120	Black	2500	045923080357	4

Not for use with dimmers. Mounting hardware not included.

STRING LIGHTS - LAMPS NOT INCLUDED

Item Description	UPC	M/Case Qty.
S8039 24FT/SL/E26/BL/120V / 12 SOCKET CORD & PLUG ONLY	120 Black 045923080395	4

SATCO DISTRIBUTION CENTERS

NEW YORK (HQ)
110 HEARTLAND BLVD
BRENTWOOD, NY 11717
T. 631-243-2022
F. 631-243-2027

TEXAS
2000 VALWOOD PKWY
FARMERS BRANCH, TX 75234
T. 972-247-2437
F. 972-247-5408

FLORIDA
1694 NW 215TH ST
MIAMI GARDENS, FL 33056
T. 305-624-2044
F. 305-623-0286

CALIFORNIA
31288 SAN BENITO ST
HAYWARD, CA 94544
T. 510-487-4822
F. 510-487-8955

WASHINGTON
4710 116TH ST SW
MUKILTEO, WA 98275
T. 425-789-3300
F. 425-789-3310

PUERTO RICO
CAMPECHE STREET, 23
JULIO N. MATOS INDUSTRIAL PARK
CAROLINA, PR 00984
T. 787-757-3510
F. 787-757-3540

Products inventoried in Canada & Mexico, contact: internationalsales@satco.com / 631-243-2022 Ext. 315

**THE MOST VERSATILE
 COMMERCIAL LED
 A LAMP ON THE
 MARKET: THE HI-PRO
 A-PLUS**



CCT SELECTABLE

WATTAGE SELECTABLE

**IMPROVED LUMENS PER
 WATT — HIGHER EFFICIENCY**

REDUCED JACKET SIZE

ENCLOSED FIXTURE RATED

DAMP LOCATION

BUILT IN SURGE PROTECTION

50,000 HOURS

Our newest addition to the Hi-Pro LED family provides up to 85% in energy savings, and advanced features. CCT and Wattage selectable capability means more versatility and custom-tailored light for specific application. Designed to produce high-output light with over 300° of illumination, this lamp is perfect for commercial bollard fixtures, post-top lighting and high ceiling recessed applications, to name a few.. Smaller jacket size and base up, down or horizontal use makes this our most versatile "A" lamp to-date.



ColorQuick™

Selectable Color Technology
 Switch to/from the following CCT



PowerQuick™

Wattage Selectable
 Wide Variety of Wattage Options



SATCO LED LAMPS

HI-PRO LED CCT & WATTAGE SELECTABLE LAMPS ADAPT TO MANY APPLICATIONS AND MORE VENUES.

- 3000K, 4000K, 5000K Selectable
- Wattage selectable / High & Low
- 135 Lumens per watt
- Reduced envelope size
- Enclosed fixture rated
- Damp location
- Built in surge protection
- 50,000 hours



LUMENS

Item	100% Power (CCT 3K/4K/5K)	50% Power (CCT 3K/4K/5K)
S13160	2400/2700/2600	N/A
S13161	3000/3375/3250	N/A
S13162	4200/4725/4550	2205/2485/2380
S13163	4200/4725/4550	2205/2485/2380
S13164	5400/6075/5850	2835/3195/3060
S13165	5400/6075/5850	2835/3195/3060
S13166	7800/8775/8450	4095/4645/4420
S13167	7800/8775/8450	4095/4645/4420



ColorQuick™
Selectable Color Technology

Color temperature selection switch
3000K —|— 5000K
4000K
Color Temperature

Switch to/from the following CCT



PowerQuick™
Wattage Selectable

Wattage selection switch
Wide Variety of Wattage Options

High Low



3000K

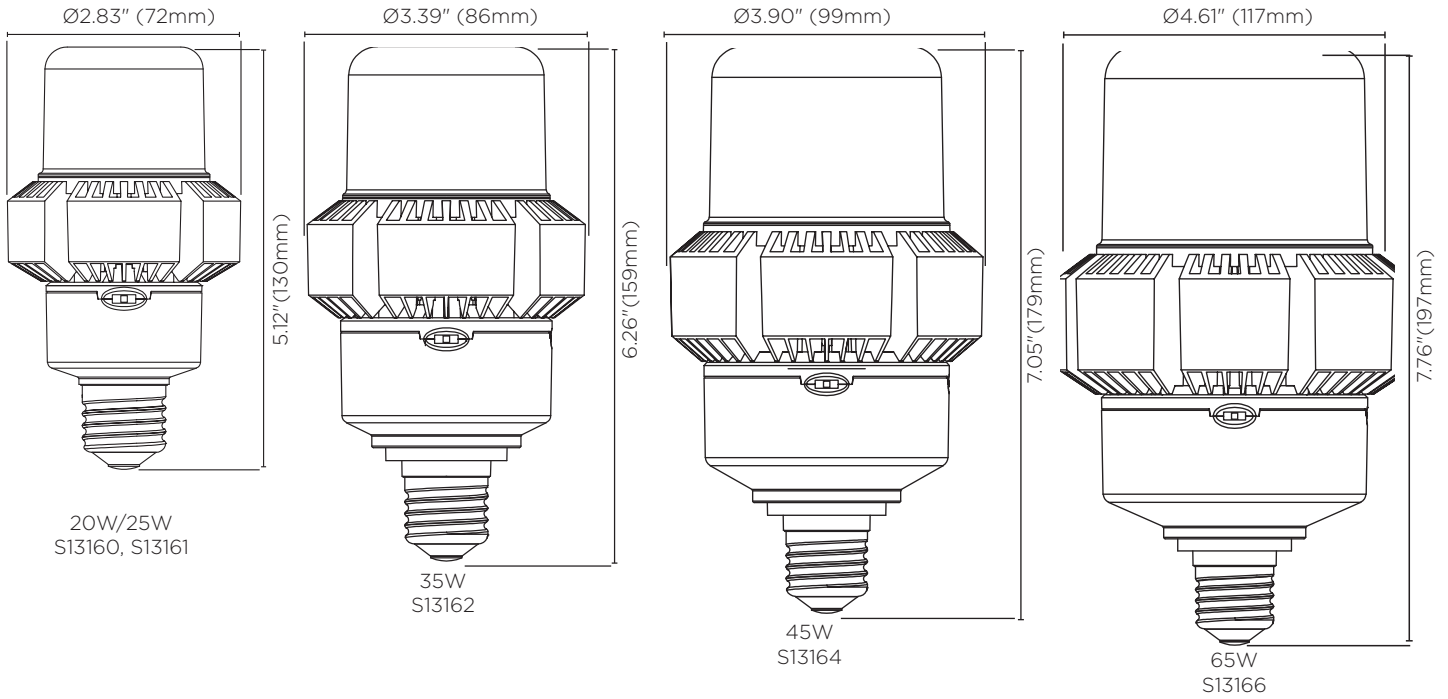


4000K

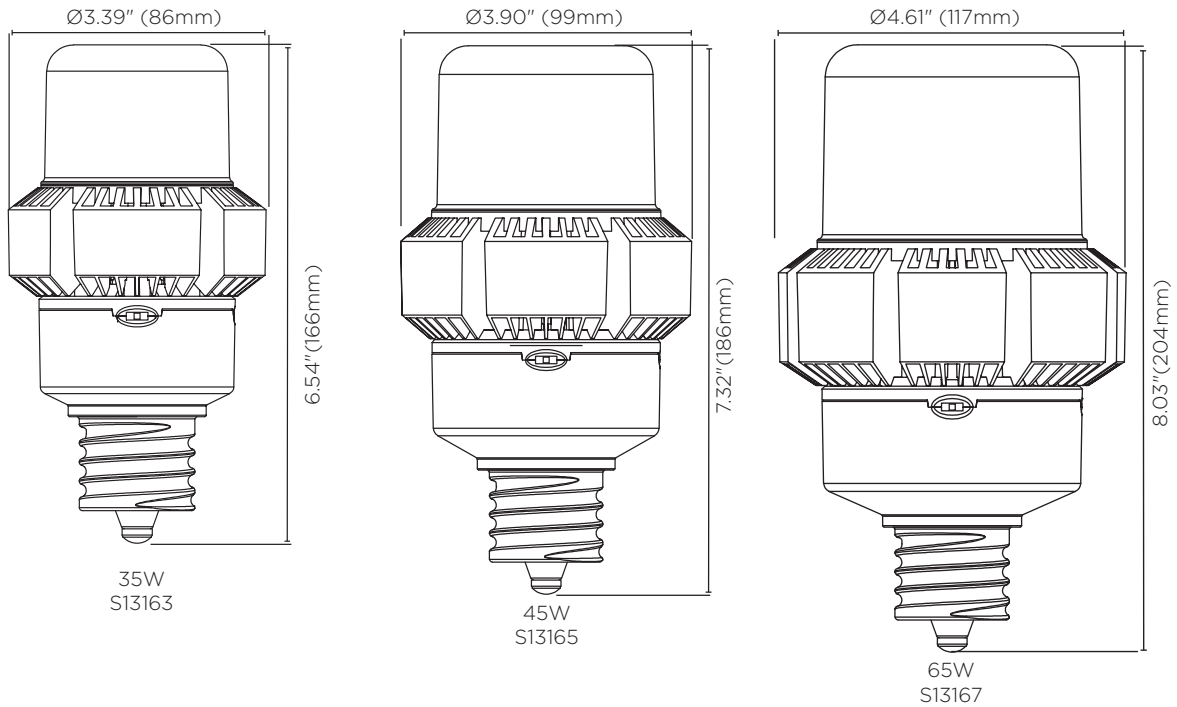


5000K

E26

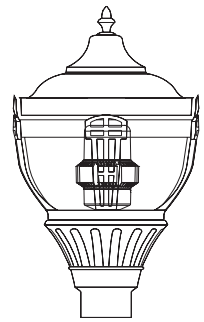
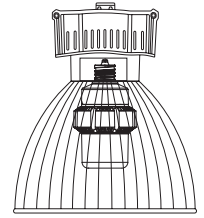


EX39





Advanced heat sink design ensures long lifespan, less maintenance.



Item	Description	W	V	Base Type	CCT Selectable	Lumens @ 5K 100% Pwr	Lumens @ 5K 50% Pwr	CRI	Life/ Hrs.	M.O.L. (In.)	UPC	Pack
S13160	20W/AP23/LED/CCT/100-277V/E26	20	100-277	E26	3000/4000/5000	2600	N/A	80	50K	5.12	045923131608	24
S13161	25W/AP23/LED/CCT/100-277V/E26	25	100-277	E26	3000/4000/5000	3250	N/A	80	50K	5.12	045923131615	24
S13162	35W/AP28/LED/CCT/100-277V/E26	35/17	100-277	E26	3000/4000/5000	4550	2380	80	50K	6.26	045923131622	12
S13163**	35W/AP28/LED/CCT/100-277V/EX39	35/17	100-277	EX39	3000/4000/5000	4550	2380	80	50K	6.54	045923131639	12
S13164	45W/AP32/LED/CCT/100-277V/E26	45/22	100-277	E26	3000/4000/5000	5850	3060	80	50K	7.05	045923131646	12
S13165**	45W/AP32/LED/CCT/100-277V/EX39	45/22	100-277	EX39	3000/4000/5000	5850	3060	80	50K	7.32	045923131653	12
S13166	65W/AP37/LED/CCT/100-277V/E26	65/32	100-277	E26	3000/4000/5000	8450	4420	80	50K	7.76	045923131660	12
S13167**	65W/AP37/LED/CCT/100-277V/EX39	65/32	100-277	EX39	3000/4000/5000	8450	4420	80	50K	8.03	045923131677	12

SATCO DISTRIBUTION CENTERS

NEW YORK (HQ)
110 HEARTLAND BLVD
BRENTWOOD, NY 11717
T. 631-243-2022
F. 631-243-2027

TEXAS
2000 VALWOOD PKWY
FARMERS BRANCH, TX 75234
T. 972-247-2437
F. 972-247-5408

FLORIDA
900 NW 159TH DR
MIAMI, FL 33169
T. 305-624-2044
F. 305-623-0286

CALIFORNIA
31288 SAN BENITO ST
HAYWARD, CA 94544
T. 510-487-4822
F. 510-487-8955

WASHINGTON
4710 116TH ST SW
MUKILTEO, WA 98275
T. 425-789-3300
F. 425-789-3310

PUERTO RICO
CAMPECHE STREET, 23
JULIO N. MATOS INDUSTRIAL PARK
CAROLINA, PR 00984
T. 787-757-3510
F. 787-757-3540

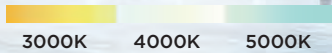
Products inventoried in Canada & Mexico, contact: internationalsales@satco.com / 631-243-2022 Ext. 315

ADVANCED FEATURES AND EFFICIENT LED TECHNOLOGY MAKE THIS THE LAMP PROFESSIONALS RELY ON FOR LARGE-SCALE APPLICATIONS.



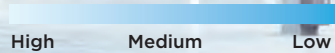
ColorQuick™
 Selectable Color Technology

Switch to/from the following CCT



PowerQuick™
 Wattage Selectable

Wide Variety of Wattage Options



**CCT SELECTABLE—3000K,
 4000K, 5000K**

WATTAGE SELECTABLE

ENCLOSED FIXTURE RATED

**ADVANCED THERMAL
 MANAGEMENT**

DAMP LOCATION

**4KV BUILT IN SURGE
 PROTECTION**

50,000 HOURS

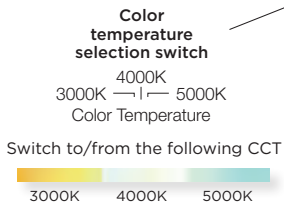
The newest generation of our popular Hi-Pro commercial LED lamps provides up to 80% in energy savings and brings advanced features allowing them to adjust to more applications. The CCT and Wattage selectable capability built into each lamp means more versatility and custom-tailored light to many more venues. Designed to deliver clean, efficient LED light at 360° from higher fixtures, this lamp is perfect for gymnasiums, factory floors, health clubs, warehouses and any venue where high ceilings require high lumen, safe, superior light output.



SATCO LED LAMPS

HI-PRO LED CCT & WATTAGE SELECTABLE LAMPS ADAPT TO MANY APPLICATIONS AND MORE VENUES.

- CCT Selectable—3000K, 4000K, 5000K
- Wattage selectable
- Enclosed fixture rated
- Advanced thermal management
- Damp location
- 4KV Built in surge protection
- 50,000 hours



Wattage selection switch

HID WATTAGE EQUIVALENTS

Item	HID High Watt Eq.	HID Med. Watt Eq.	HID Low Watt Eq.
S23146	18W=75W	16W=50W	12W=40W
S23147	22W=100W	18W=75W	16W=50W
S23148	27W=125W	22W=100W	18W=75W
S23151	27W=125W	22W=100W	18W=75W
S23149	36W=150W	27W=125W	18W=75W
S23152	36W=150W	27W=125W	18W=75W
S23140	45W=175W	36W=150W	27W=125W
S23141	45W=175W	36W=150W	27W=125W
S23142	54W=200W	45W=175W	36W=150W
S23150	63W=250W	54W=200W	45W=175W
S23143	80W=320W	63W=250W	54W=200W
S23144	100W=400W	80W=320W	63W=250W
S23145	120W=600W	100W=400W	80W=320W



3000K

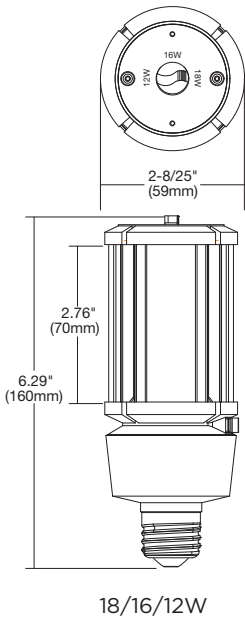


4000K



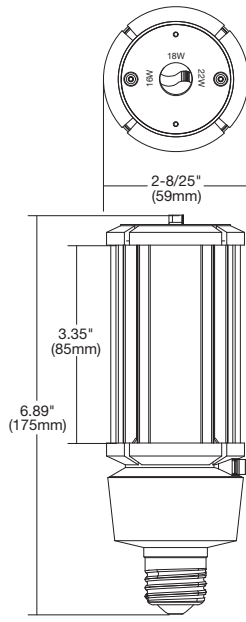
5000K

S23146



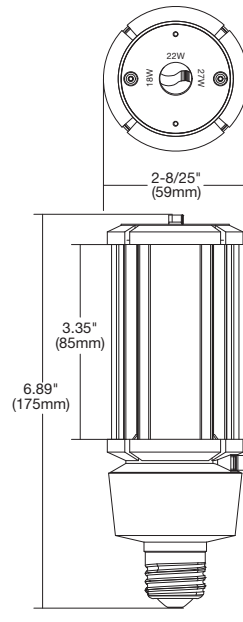
18/16/12W

S23147



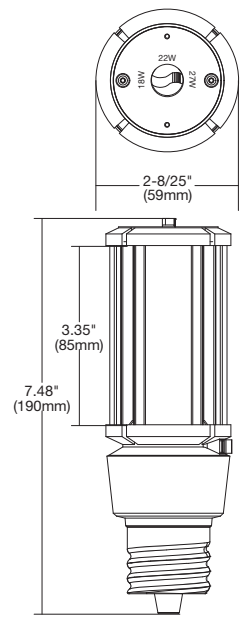
22/18/16W

S23148



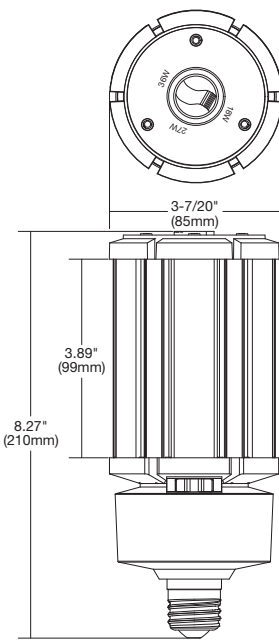
27/22/18W

S23151



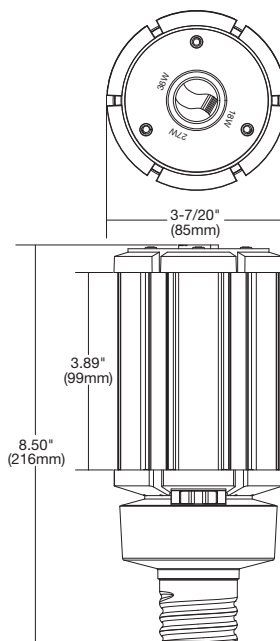
27/22/18W

S23149



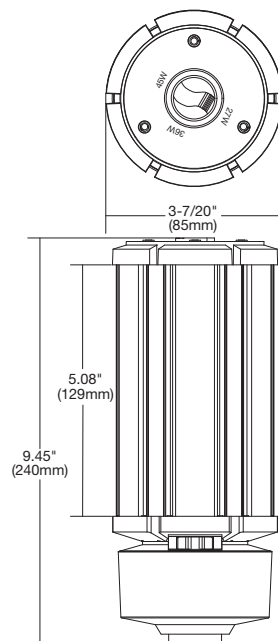
36/27/18W

S23152



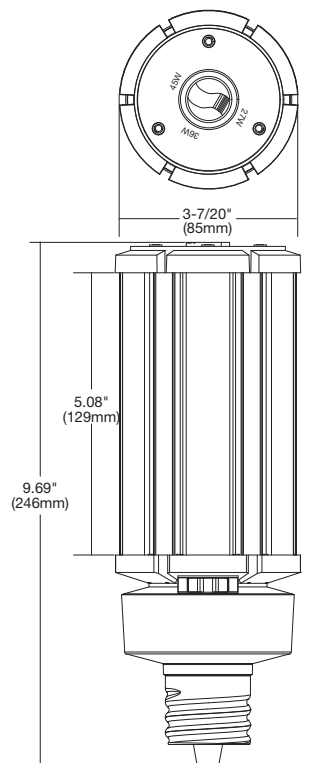
36/27/18W

S23140

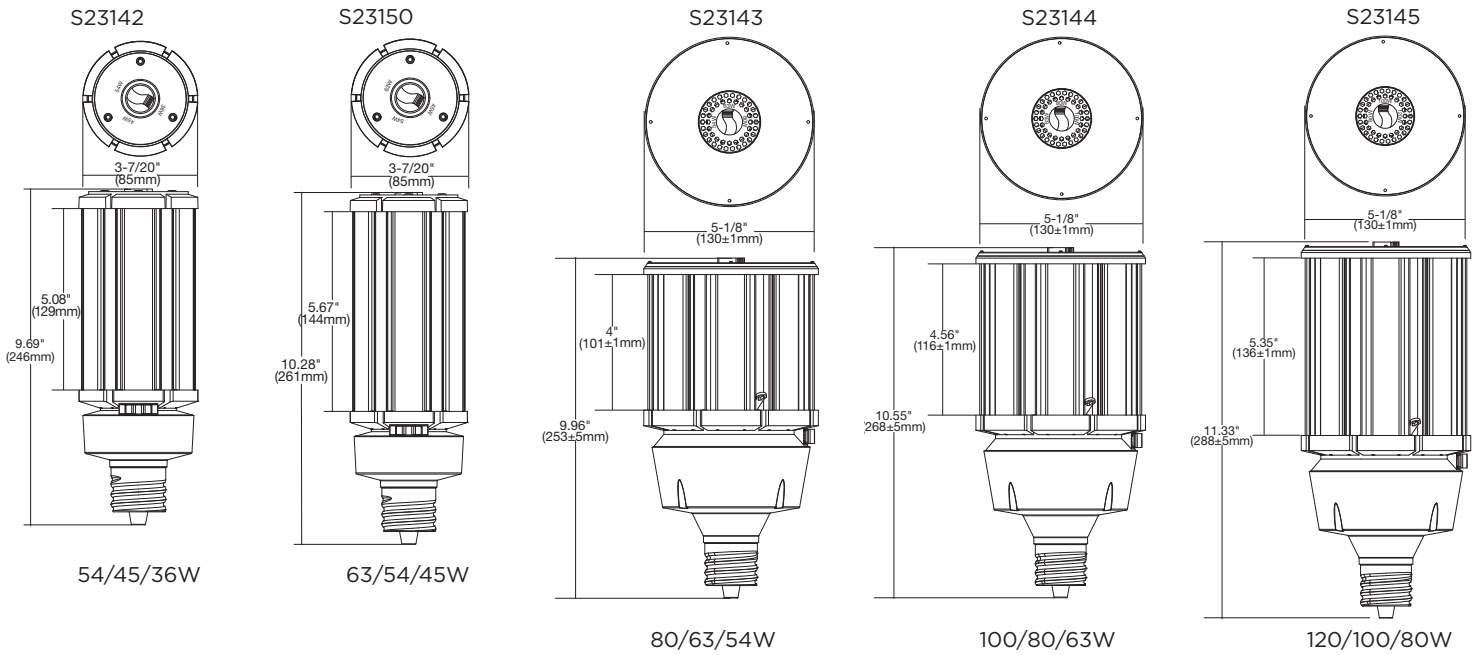


45/36/27W

S23141



45/36/27W



Item	Description	W Selectable	V	Base Type	CCT Selectable	Lm/Wattage High/Med/Low	CRI	Life/Hrs.	M.O.L. (In.)	UPC	Pack
S23146	18W/LED/HID/CCT/E26	18/16/12	100-277	E26	3000/4000/5000	2520/2240/1680	80	50K	6.29	045923231469	24
S23147	22W/LED/HID/CCT/E26	22/18/16	100-277	E26	3000/4000/5000	3080/2520/2240	80	50K	6.89	045923231476	24
S23148	27W/LED/HID/CCT/E26	27/22/18	100-277	E26	3000/4000/5000	3780/3080/2520	80	50K	6.89	045923231483	24
S23151*	27W/LED/HID/CCT/EX39	27/22/18	100-277	EX39	3000/4000/5000	3780/3080/2520	80	50K	7.48	045923231513	24
S23149	36W/LED/HID/CCT/E26	36/27/18	100-277	E26	3000/4000/5000	5040/3780/2520	80	50K	8.27	045923231490	24
S23152*	36W/LED/HID/CCT/EX39	36/27/18	100-277	EX39	3000/4000/5000	5040/3780/2520	80	50K	8.50	045923231520	24
S23140	45W/LED/HID/CCT/E26	45/36/27	100-277	E26	3000/4000/5000	6300/5040/3780	80	50K	9.45	045923231407	12
S23141*	45W/LED/HID/CCT/EX39	45/36/27	100-277	EX39	3000/4000/5000	6300/5040/3780	80	50K	9.69	045923231414	12
S23142*	54W/LED/HID/CCT/EX39	54/45/36	100-277	EX39	3000/4000/5000	7560/6300/5040	80	50K	9.69	045923231421	12
S23150*	63W/LED/HID/CCT/EX39	63/54/45	100-277	EX39	3000/4000/5000	8820/7560/6300	80	50K	10.28	045923231506	12
S23143*	80W/LED/HID/CCT/EX39	80/63/54	100-277	EX39	3000/4000/5000	11200/8820/7560	80	50K	9.96	045923231438	4
S23144*	100W/LED/HID/CCT/EX39	100/80/63	100-277	EX39	3000/4000/5000	14000/11200/8820	80	50K	10.55	045923231445	4
S23145*	120W/LED/HID/CCT/EX39	120/100/80	100-277	EX39	3000/4000/5000	16800/14000/11200	80	50K	11.33	045923231452	4

SATCO DISTRIBUTION CENTERS

NEW YORK (HQ)
 110 HEARTLAND BLVD
 BRENTWOOD, NY 11717
 T. 631-243-2022
 F. 631-243-2027

TEXAS
 2000 VALWOOD PKWY
 FARMERS BRANCH, TX 75234
 T. 972-247-2437
 F. 972-247-5408

FLORIDA
 900 NW 159TH DR
 MIAMI, FL 33169
 T. 305-624-2044
 F. 305-623-0286

CALIFORNIA
 31288 SAN BENITO ST
 HAYWARD, CA 94544
 T. 510-487-4822
 F. 510-487-8955

WASHINGTON
 4710 116TH ST SW
 MUKILTEO, WA 98275
 T. 425-789-3300
 F. 425-789-3310

PUERTO RICO
 CAMPECHE STREET, 23
 JULIO N. MATOS INDUSTRIAL PARK
 CAROLINA, PR 00984
 T. 787-757-3510
 F. 787-757-3540

Products inventoried in Canada & Mexico, contact: internationalsales@satco.com / 631-243-2022 Ext. 315

**OUR BEST VALUE
LED REPLACEMENT
SOLUTION FOR
TRADITIONAL HID
LAMPS**



HIGH LUMEN PER WATT RATIO

SUPERIOR LED LIGHT OUTPUT

ENCLOSED FIXTURE RATED

**ADVANCED THERMAL
MANAGEMENT**

DAMP LOCATION

This generation of our popular Hi-Pro commercial LED lamps delivers up to 80% in energy savings, superior LED light and the best value in the industry today. The high lumen capability built into each lamp, and many wattages to choose from, mean more solutions for more venues. Designed to deliver clean, efficient LED light at 300° from higher fixtures, this lamp is perfect for gymnasiums, factory floors, health clubs, warehouses and any venue where high ceilings require high lumen, low maintenance, and energy efficient light output.



SATCO LED LAMPS

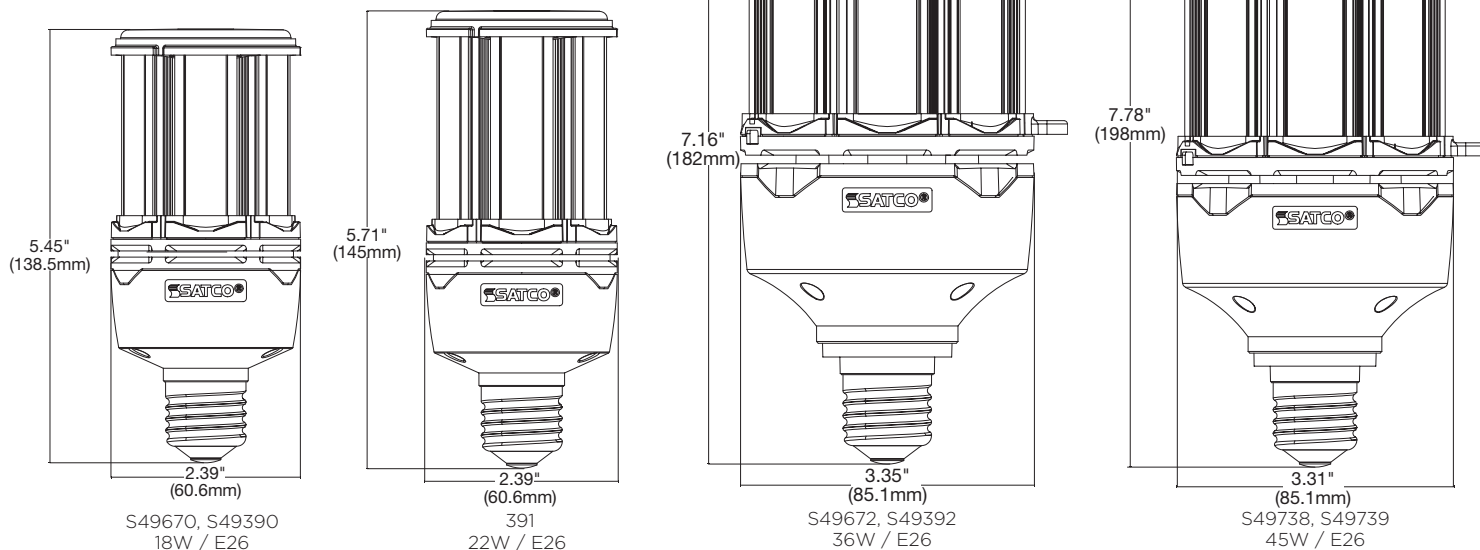
ADVANCED FEATURES AND EFFICIENT LED TECHNOLOGY MAKE THIS THE LAMP ONE OF THE BEST VALUES IN THE INDUSTRY TODAY.

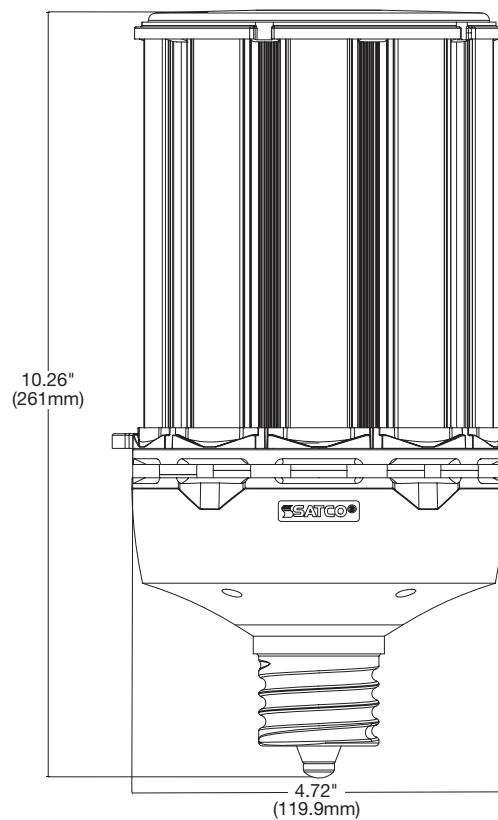
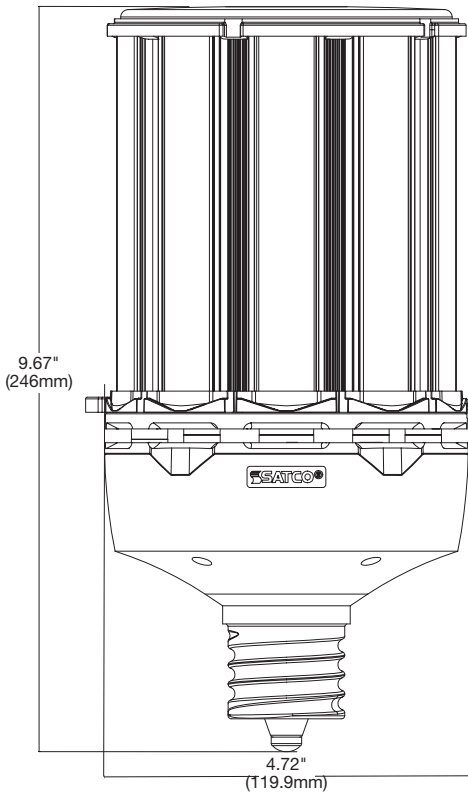
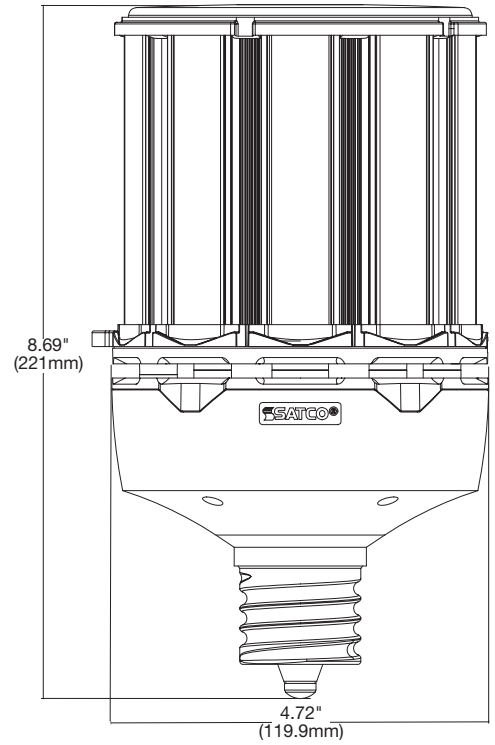
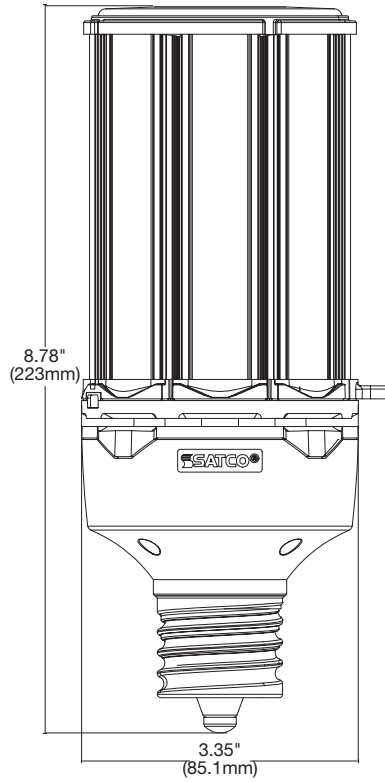
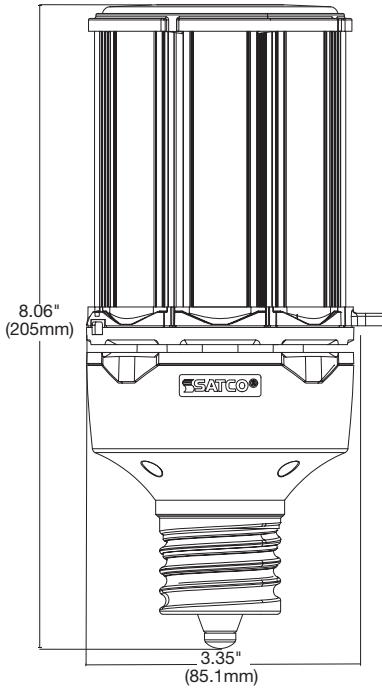
- High Lumen per watt ratio
- Superior LED light output
- Enclosed fixture rated
- Advanced thermal management
- Damp location
- 35,000 hours



HID WATTAGE EQUIVALENTS

Item	Description	HID Watt Eq.
S49670	18W/LED/HP/827/E26	70
S49390	18W/LED/HP/850/E26	70
S49671	22W/LED/HP/827/E26	100
S49391	22W/LED/HP/850/E26	100
S49672	36W/LED/HP/827/E26	150
S49392	36W/LED/HP/850/E26	150
S49738	45W/LED/HP/840/E26	175
S49739	45W/LED/HP/850/E26	175
S49673	45W/LED/HP/840/EX39	175
S49393	45W/LED/HP/850/EX39	175
S49674	54W/LED/HP/840/EX39	250
S49394	54W/LED/HP/850/EX39	250
S49675	80W/LED/HP/840/EX39	320
S49395	80W/LED/HP/850/EX39	320
S49676	100W/LED/HP/840/EX39	400
S49396	100W/LED/HP/850/EX39	400
S49677	120W/LED/HP/840/EX39	600
S49397	120W/LED/HP/850/EX39	600





**HI-PRO LED LAMPS FOR
HIGH BAY, LOW BAY
AND POST TOP
APPLICATIONS**

High Lumen per watt ratio
Superior LED light output
Enclosed fixture rated
Advanced thermal
management
Damp location



S49675



Item	Description	W	V	Base Type	CCT	Lm	CRI	KV Surge Protection	Life/ Hrs.	M.O.L. (In.)	UPC	Pack
S49670	18W/LED/HP/827/E26	18	100-277	E26	2700	2340	80	2KV	35K	5.45	045923496707	24
S49390	18W/LED/HP/850/E26	18	100-277	E26	5000	2484	80	2KV	35K	5.45	045923493904	24
S49671	22W/LED/HP/827/E26	22	100-277	E26	2700	2860	80	2KV	35K	5.71	045923496714	24
S49391	22W/LED/HP/850/E26	22	100-277	E26	5000	3036	80	2KV	35K	5.71	045923493911	24
S49672	36W/LED/HP/827/E26	36	100-277	E26	2700	4680	80	3KV	35K	7.16	045923496721	12
S49392	36W/LED/HP/850/E26	36	100-277	E26	5000	4968	80	3KV	35K	7.16	045923493928	12
S49738	45W/LED/HP/840/E26	45	100-277	E26	4000	6165	80	3KV	35K	7.78	045923497384	12
S49739	45W/LED/HP/850/E26	45	100-277	E26	5000	6210	80	3KV	35K	7.78	045923497391	12
S49673	45W/LED/HP/840/EX39	45	100-277	EX39	4000	6165	80	3KV	35K	8.06	045923496738	12
S49393	45W/LED/HP/850/EX39	45	100-277	EX39	5000	6210	80	3KV	35K	8.06	045923493935	12
S49674	54W/LED/HP/840/EX39	54	100-277	EX39	4000	7398	80	3KV	35K	8.78	045923496745	12
S49394	54W/LED/HP/850/EX39	54	100-277	EX39	5000	7452	80	3KV	35K	8.78	045923493942	12
S49675	80W/LED/HP/840/EX39	80	100-277	EX39	4000	10960	80	4KV	35K	8.69	045923496752	4
S49395	80W/LED/HP/850/EX39	80	100-277	EX39	5000	11040	80	4KV	35K	8.69	045923493959	4
S49676	100W/LED/HP/840/EX39	100	100-277	EX39	4000	13700	80	4KV	35K	9.67	045923496769	4
S49396	100W/LED/HP/850/EX39	100	100-277	EX39	5000	13800	80	4KV	35K	9.67	045923493966	4
S49677	120W/LED/HP/840/EX39	120	100-277	EX39	4000	16440	80	4KV	35K	10.26	045923496776	4
S49397	120W/LED/HP/850/EX39	120	100-277	EX39	5000	16560	80	4KV	35K	10.26	045923493973	4

SATCO DISTRIBUTION CENTERS

NEW YORK (HQ)
110 HEARTLAND BLVD
BRENTWOOD, NY 11717
T. 631-243-2022
F. 631-243-2027

TEXAS
2000 VALWOOD PKWY
FARMERS BRANCH, TX 75234
T. 972-247-2437
F. 972-247-5408

FLORIDA
900 NW 159TH DR
MIAMI, FL 33169
T. 305-624-2044
F. 305-623-0286

CALIFORNIA
31288 SAN BENITO ST
HAYWARD, CA 94544
T. 510-487-4822
F. 510-487-8955

WASHINGTON
4710 116TH ST SW
MUKILTEO, WA 98275
T. 425-789-3300
F. 425-789-3310

PUERTO RICO
CAMPECHE STREET, 23
JULIO N. MATOS INDUSTRIAL PARK
CAROLINA, PR 00984
T. 787-757-3510
F. 787-757-3540

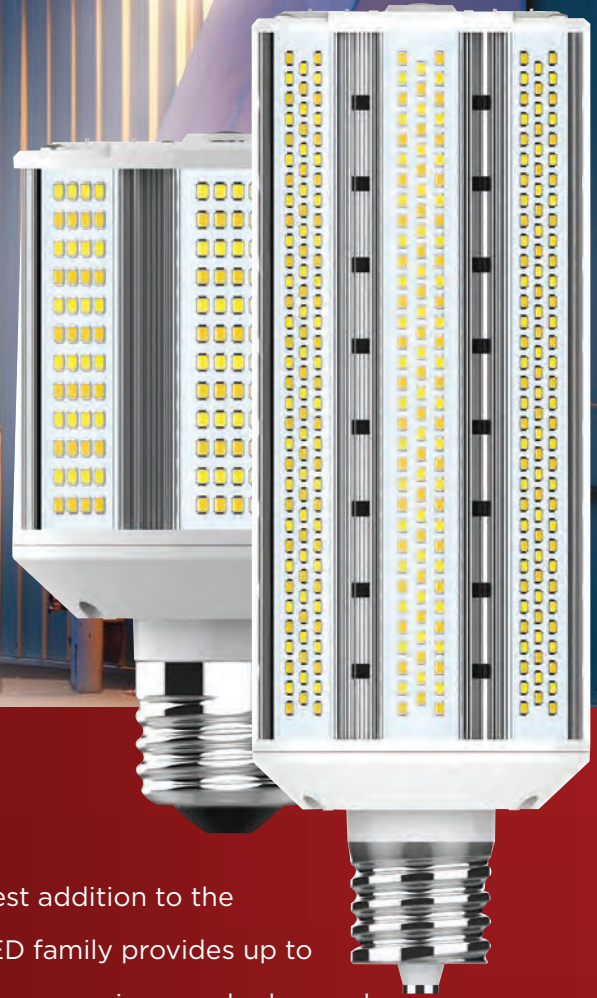
Products inventoried in Canada & Mexico, contact: internationalsales@satco.com / 631-243-2022 Ext. 315



NEW!

**CCT AND WATTAGE SELECTABLE
LED HID REPLACEMENT
WALL PACK LAMPS**

**PROFESSIONAL
SERIES HI-PRO LED
WALL PACK LAMPS.**



CCT SELECTABLE—3000K, 4000K, 5000K

WATTAGE SELECTABLE

ENCLOSED FIXTURE RATED

ADVANCED THERMAL MANAGEMENT

DAMP LOCATION

4KV BUILT IN SURGE PROTECTION

50,000 HOURS

Our newest addition to the Hi-Pro LED family provides up to 75% in energy savings, and advanced features. The CCT and Wattage selectable capability means more versatility and custom tailoring light for specific applications. Designed to focus clean, efficient LED light at 180° from higher fixtures, this lamp is perfect for parks, parking lots or to wash buildings in light for safety and impact.

**HI-PRO LED CCT AND
WATTAGE SELECTABLE
LAMPS OFFER MORE
VERSATILITY.**

- CCT Selectable—3000K, 4000K, 5000K
- Wattage selectable
- Enclosed fixture rated
- Advanced thermal management
- Damp location
- 4KV Built in surge protection
- DLC 5.1 (EX39)
- 50,000 hours



3000K

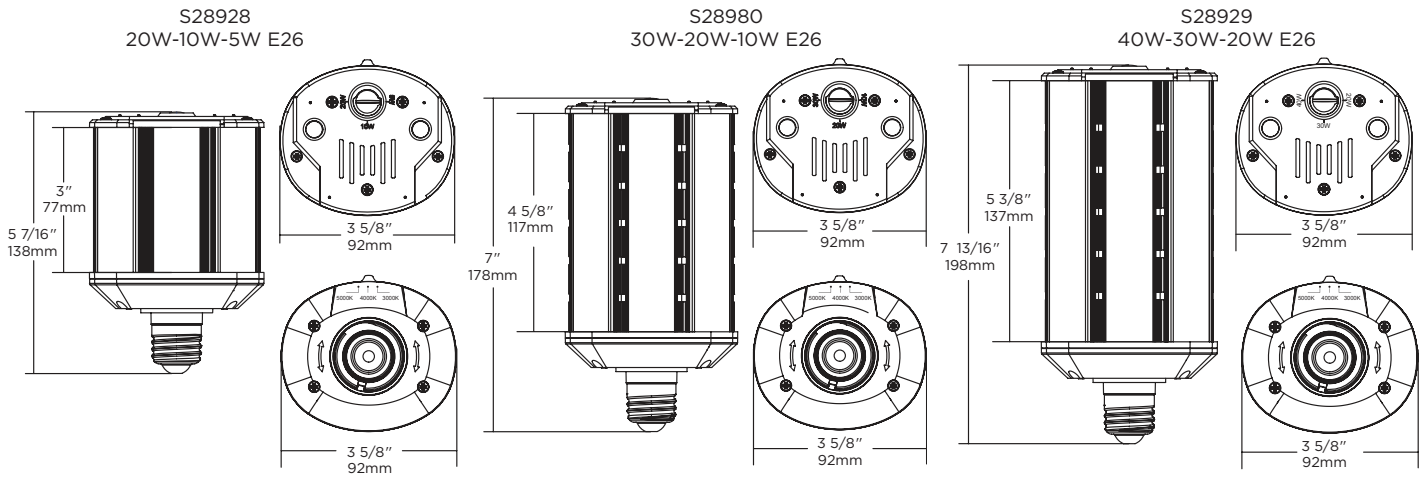


4000K

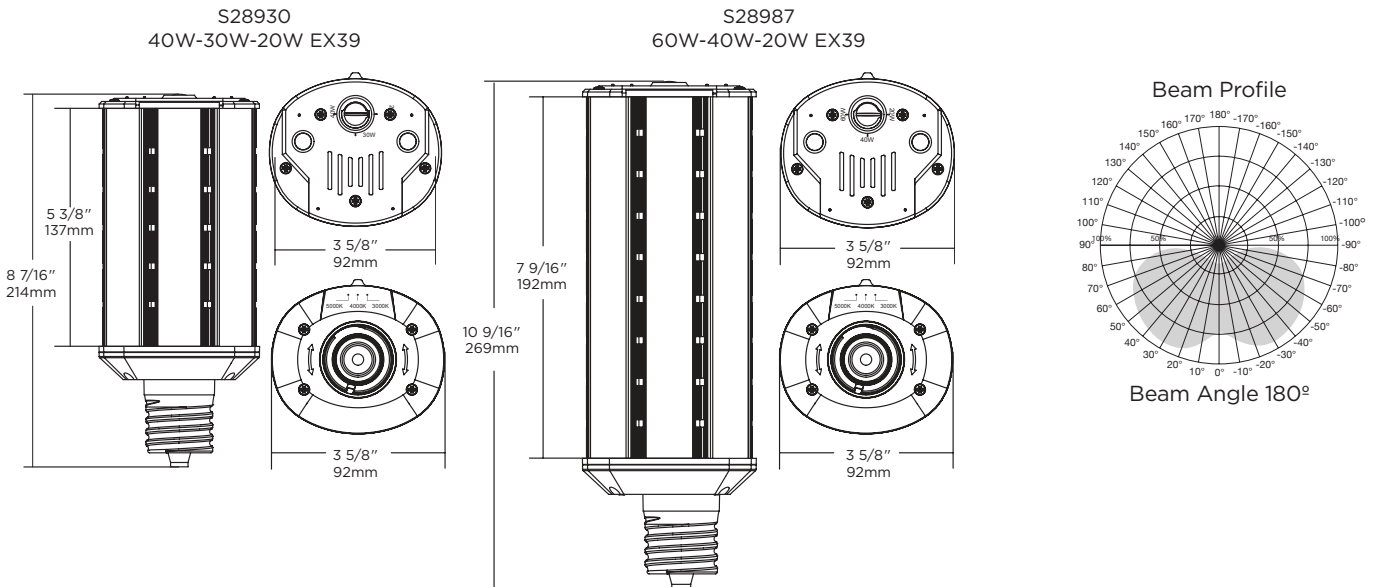


5000K

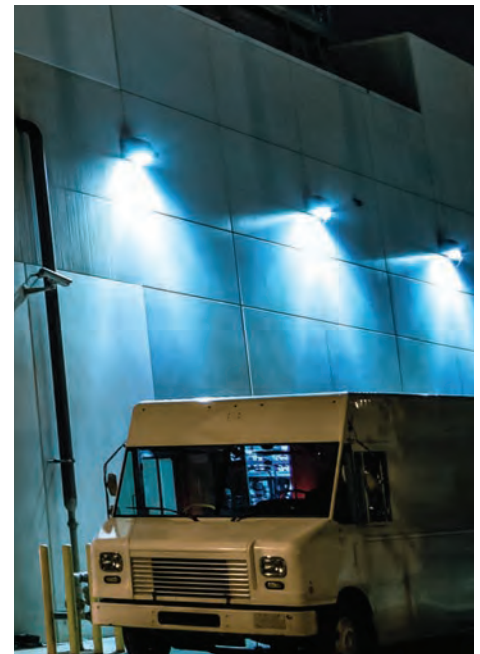
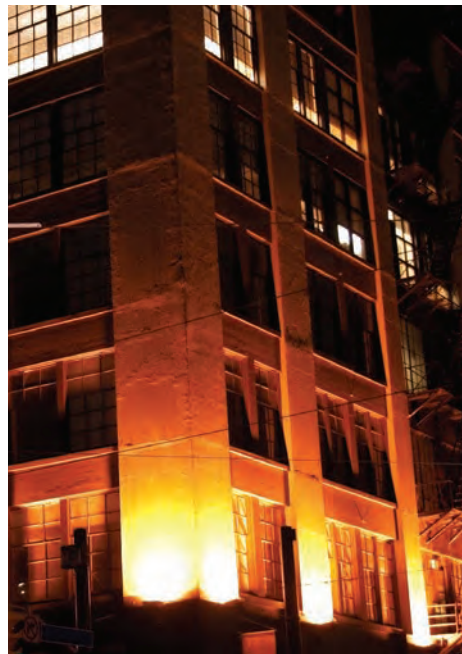
E26 Base



EX39 Base



**ADVANCED FEATURES AND EFFICIENT
LED TECHNOLOGY MAKE THIS THE LAMP
OF CHOICE, FOR ANY WALL PACK OR
DIRECTIONAL LIGHT SOURCE APPLICATION.**



Item	Description	W	V	Base	Finish	CCT	Lm	CRI	Life/ Hrs.	UPC	Case Pack
S28928	20W/LED/HID/WP/CCT-SEL/E26	20-10-5	100-277	E26	White	3K-4K-5K	3000-1500-850	80	50K	045923289286	24
S28980	30W/LED/HID/WP/CCT-SEL/E26	30-20-10	100-277	E26	White	3K-4K-5K	4500-3200-1700	80	50K	045923289804	12
S28929	40W/LED/HID/WP/CCT-SEL/E26	40-30-20	100-277	E26	White	3K-4K-5K	6000-4700-3200	80	50K	045923289293	12
S28930	40W/LED/HID/WP/CCT-SEL/EX39	40-30-20	100-277	EX39	White	3K-4K-5K	6000-4700-3200	80	50K	045923289309	12
S28987	60W/LED/HID/WP/CCT-SEL/EX39	60-40-20	100-277	EX39	White	3K-4K-5K	9000-6500-3200	80	50K	045923289873	12

SATCO DISTRIBUTION CENTERS

NEW YORK (HQ)
110 HEARTLAND BLVD
BRENTWOOD, NY 11717
T. 631-243-2022
F. 631-243-2027

TEXAS
2000 VALWOOD PKWY
FARMERS BRANCH, TX 75234
T. 972-247-2437
F. 972-247-5408

FLORIDA
900 NW 159TH DR
MIAMI, FL 33169
T. 305-624-2044
F. 305-623-0286

CALIFORNIA
31288 SAN BENITO ST
HAYWARD, CA 94544
T. 510-487-4822
F. 510-487-8955

WASHINGTON
4710 116TH ST SW
MUKILTEO, WA 98275
T. 425-789-3300
F. 425-789-3310

PUERTO RICO
CAMPECHE STREET, 23
JULIO N. MATOS INDUSTRIAL PARK
CAROLINA, PR 00984
T. 787-757-3510
F. 787-757-3540

Products inventoried in Canada & Mexico, contact: internationalsales@satco.com / 631-243-2022 Ext. 315

**LED REPLACEMENTS
FOR HID TECHNOLOGY:
HIGH LUMENS, GREATER
EFFICIENCY AND FAR
LESS MAINTENANCE.**



REPLACES HID TECHNOLOGY

**LONG NECK OPTION FITS MOST
FIXTURES**

**ADVANCED PASSIVE HEAT
DISSIPATION**

WIDE, 115° BEAM ANGLE

LIGHT WEIGHT

DAMP LOCATION

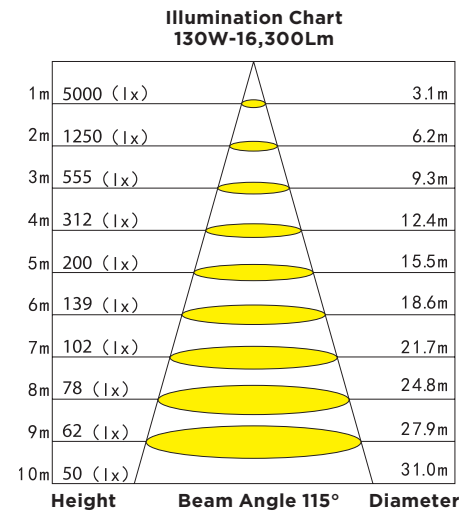
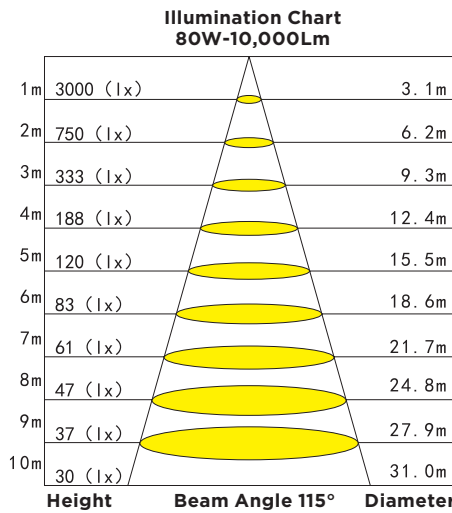
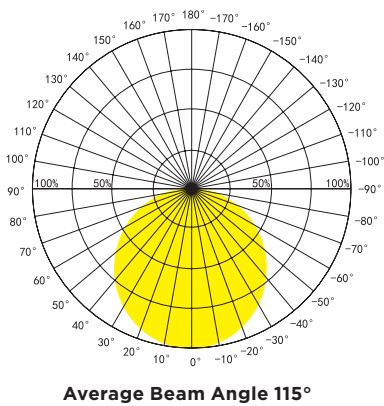
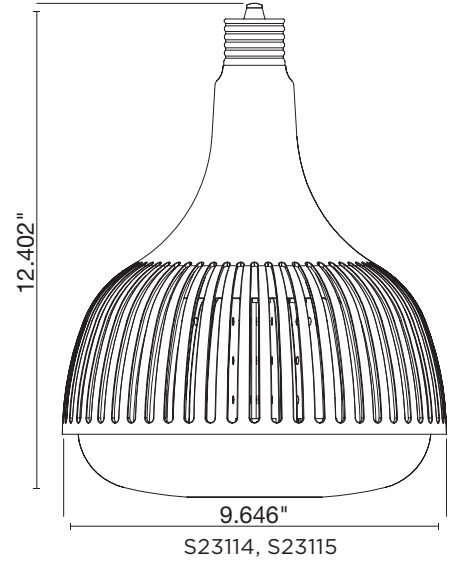
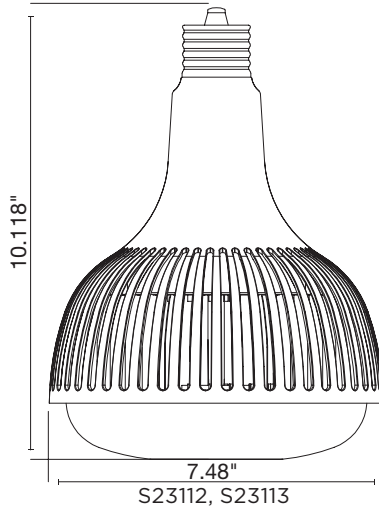
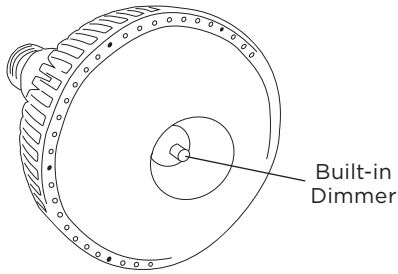


Satco's update of our popular high bay/low bay LED lamps means improved performance on every level and also added built-in dimming. The shape lends itself to virtually every fixture, and the heat dissipation feature means a cooler running, longer lasting lamp. Commercial venues everywhere have been relying on this lamp for years —warehouses, gymnasiums, health clubs, factories and arenas, for example — everywhere superior light output is critical and reducing maintenance is important.



SATCO LED LAMPS

- Replaces HID technology
- Long neck option fits most fixtures
- Advanced passive heat dissipation
- Dimmable with built-in dimmer only
- Wide, 115° beam angle
- Light weight
- Damp location
- 6kV built in surge protection
- 3 Year warranty



Item	Description	W	V	Base	Finish	CCT	Lm	CRI	Beam	MOL (in.)	Life (hrs.)	UPC	Pack
S23112	80W/LED/HID-HB/4K/120-277V	80	120-277	EX39	WHITE	4000K	10000	80	115°	10.12	35K	045923231124	4
S23113	80W/LED/HID-HB/5K/120-277V	80	120-277	EX39	WHITE	5000K	10000	80	115°	10.12	35K	045923231131	4
S23114	130W/LED/HID-HB/4K/120-277V	130	120-277	EX39	WHITE	4000K	16300	80	115°	12.40	35K	045923231148	4
S23115	130W/LED/HID-HB/5K/120-277V	130	120-277	EX39	WHITE	5000K	16300	80	115°	12.40	35K	045923231155	4

SATCO DISTRIBUTION CENTERS

NEW YORK (HQ)

110 HEARTLAND BLVD
BRENTWOOD, NY 11717
T. 631-243-2022
F. 631-243-2027

TEXAS

2000 VALWOOD PKWY
FARMERS BRANCH, TX 75234
T. 972-247-2437
F. 972-247-5408

FLORIDA

900 NW 159TH DR
MIAMI, FL 33169
T. 305-624-2044
F. 305-623-0286

CALIFORNIA

31288 SAN BENITO ST
HAYWARD, CA 94544
T. 510-487-4822
F. 510-487-8955

WASHINGTON

4710 116TH ST SW
MUKILTEO, WA 98275
T. 425-789-3300
F. 425-789-3310

PUERTO RICO

CAMPECHE STREET, 23
JULIO N. MATOS INDUSTRIAL PARK
CAROLINA, PR 00984
T. 787-757-3510
F. 787-757-3540

Products inventoried in Canada & Mexico, contact: internationalsales@satco.com / 631-243-2022 Ext. 315

**THE HIGH-LUMEN,
HIGH EFFICIENCY, LOW
MAINTENANCE ANSWER
TO TRADITIONAL
HID LIGHTING
TECHNOLOGIES.**



REPLACES HID LAMPS

**ADVANCED PASSIVE HEAT
DISSIPATION**

WIDE, 180° BEAM ANGLE

**LONG NECK DESIGN FITS MORE
FIXTURES**

DIMMABLE*

DAMP LOCATION

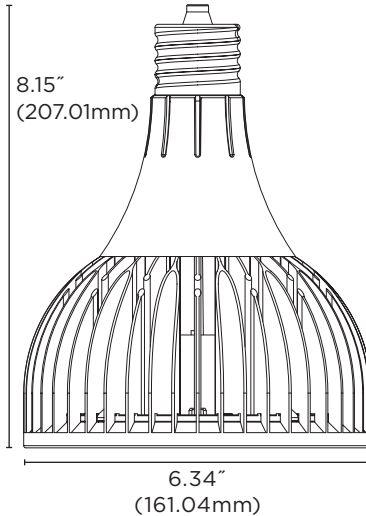
DLC 5.1

Satco's next generation of high bay/low bay LED lamps deliver more on every level. Lumen output has been improved, meaning even better LED efficiency than previous generations. And the redesigned heat dissipation feature means a cooler running, longer lasting lamp. This is the lamp needed for the most difficult lighting situations—warehouses, gymnasiums, health clubs, factories and arenas—and it succeeds with up to 25,000 lumens of efficient LED light. These lamps are dimmable, meet DLC 5.1 requirements and last up to 50,000 hours, reducing maintenance and energy costs.

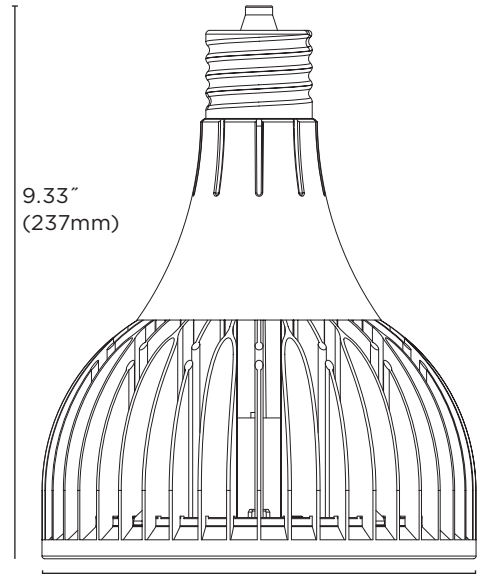


SATCO LED LAMPS

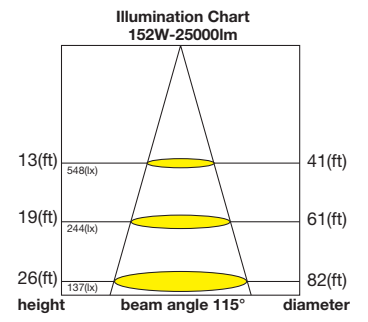
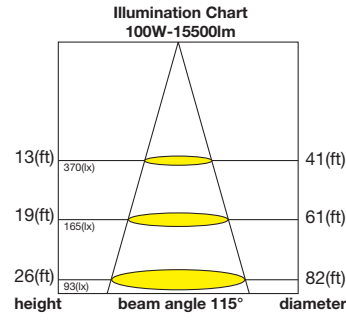
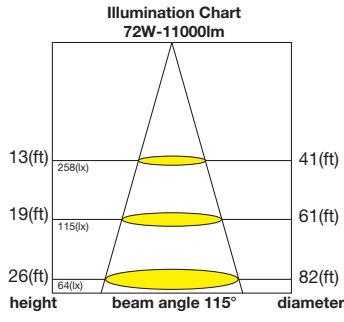
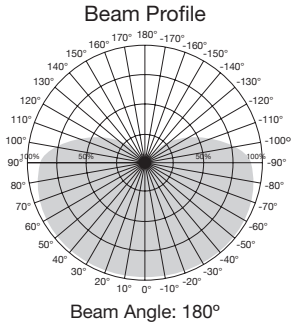
- Replaces HID lamps
- Advanced passive heat dissipation
- Wide, 180° beam angle
- Long neck design fits more fixtures
- Dimmable*
- Damp location
- 6kV built in surge protection
- DLC 5.1



S13150, S13151, S13152, S13153



S13154, S13155



Item	Description	W	V	Base	Finish	CCT	Lm	CRI	Beam	MOL (in.)	Life (hrs.)	UPC	Pack
S13150	72W/LED/HID-HB/840/120-277V/DIM	72	120-277	EX39	WHITE	4000K	11,000	80	180°	8.15	50K	045923131509	4
S13151	72W/LED/HID-HB/850/120-277V/DIM	72	120-277	EX39	WHITE	5000K	11,000	80	180°	8.15	50K	045923131516	4
S13152	100W/LED/HID-HB/840/120-277V/DIM	100	120-277	EX39	WHITE	4000K	15,500	80	180°	8.15	50K	045923131523	4
S13153	100W/LED/HID-HB/850/120-277V/DIM	100	120-277	EX39	WHITE	5000K	15,500	80	180°	8.15	50K	045923131530	4
S13154	152W/LED/HID-HB/840/120-277V/DIM	152	120-277	EX39	WHITE	4000K	25,000	80	180°	9.33	50K	045923131547	4
S13155	152W/LED/HID-HB/850/120-277V/DIM	152	120-277	EX39	WHITE	5000K	25,000	80	180°	9.33	50K	045923131554	4

*See satco.com for dimmer compatibility.

SATCO DISTRIBUTION CENTERS

NEW YORK (HQ)
110 HEARTLAND BLVD
BRENTWOOD, NY 11717
T. 631-243-2022
F. 631-243-2027

TEXAS
2000 VALWOOD PKWY
FARMERS BRANCH, TX 75234
T. 972-247-2437
F. 972-247-5408

FLORIDA
900 NW 159TH DR
MIAMI, FL 33169
T. 305-624-2044
F. 305-623-0286

CALIFORNIA
31288 SAN BENITO ST
HAYWARD, CA 94544
T. 510-487-4822
F. 510-487-8955

WASHINGTON
4710 116TH ST SW
MUKILTEO, WA 98275
T. 425-789-3300
F. 425-789-3310

PUERTO RICO
CAMPECHE STREET, 23
JULIO N. MATOS INDUSTRIAL PARK
CAROLINA, PR 00984
T. 787-757-3510
F. 787-757-3540

Products inventoried in Canada & Mexico, contact: internationalsales@satco.com / 631-243-2022 Ext. 315

**SKU-REDUCING,
 DUAL MODE
 REPLACEMENTS FOR
 T8 LAMPS IN EXISTING
 FIXTURES, WITH OR
 WITHOUT BALLASTS**



**BALLAST COMPATIBLE AND
 BALLAST BYPASS IN ONE LAMP**

**SINGLE OR DOUBLE-ENDED
 WIRING IN BYPASS MODE**

PROTECTION FROM ARCING

ALL GLASS TUBE

DAMP LOCATION

**COMPATIBLE WITH SATCO
 S8000 & S8002 EM DRIVERS IN
 BYPASS MODE**

Our newest additions to our line of dual-mode T8 LED lamps offer more than just energy savings. Their plug and play design means they are at home in existing ballasted fixtures or are ballast bypass-ready. Available in 3000K, 3500K, 4000K and 5000K with high lumen output, one lamp never offered so much versatility. Schools, offices, hospitals, factories—any commercial application—using older T8 technology will notice immediate benefits and reduced ongoing maintenance.



SATCO LED LAMPS

- Ballast compatible and ballast bypass in one lamp
- Single or double-ended wiring in bypass mode
- Protection from arcing
- All glass tube
- Damp location
- Compatible with Satco S8000 & S8002 EM drivers in bypass mode

TYPE B

Ballast Bypass - Type B



Item	Description	W	V	Bulb Type	Base	Finish	CCT	Lm	CRI	Beam	MOL (in.)	Life (hrs.)	UPC	Pack
S11974	12T8/48-830/DM/A-B	12	120-277	T8	G13	FROST	3000K	1700	82	210°	48	50K	045923119743	25
S11975	12T8/48-835/DM/A-B	12	120-277	T8	G13	FROST	3500K	1700	82	210°	48	50K	045923119750	25
S11976	12T8/48-840/DM/A-B	12	120-277	T8	G13	FROST	4000K	1800	82	210°	48	50K	045923119767	25
S11977	12T8/48-850/DM/A-B	12	120-277	T8	G13	FROST	5000K	1800	82	210°	48	50K	045923119774	25

Wiring in Type B installation

SINGLE-ENDED WIRING Using non-shunted lampholders only

Single Lamp



DOUBLE-ENDED WIRING Using shunted lampholders only

Shunted Lampholders - Single Lamp / 120-277V



TYPE A

Ballast Compatible - Type A



Item	Description	W	Bulb Type	Base	Finish	CCT	Lm	CRI	Beam	MOL (in.)	Life (hrs.)	UPC	Pack
S11974	12T8/48-830/DM/A-B	12	T8	G13	FROST	3000K	1700	82	210°	48	50K	045923119743	25
S11975	12T8/48-835/DM/A-B	12	T8	G13	FROST	3500K	1700	82	210°	48	50K	045923119750	25
S11976	12T8/48-840/DM/A-B	12	T8	G13	FROST	4000K	1800	82	210°	48	50K	045923119767	25
S11977	12T8/48-850/DM/A-B	12	T8	G13	FROST	5000K	1800	82	210°	48	50K	045923119774	25

System Performance

Item	Description	CCT	Bare Lamp (Rated)			Bare Lamp Wattage			System Wattage			Initial Lumens			Lifetime		
			Nominal Wattage	Nominal Lumens	Lamp Efficiency	LBF (0.78)	NBF (0.88)	HBF (1.18)	LBF (0.78)	NBF (0.88)	HBF (1.18)	LBF (0.78)	NBF (0.88)	HBF (1.18)	LBF (0.78)	NBF (0.88)	HBF (1.18)
S11974	12T8/LED/48-830/DM/A-B	3000	12	1700	150	10.2	12.0	16.4	13.0	15.0	21.5	1510	1680	2180	>50Khrs	>50Khrs	≤50Khrs
S11975	12T8/LED/48-835/DM/A-B	3500	12	1700	150	10.2	12.0	16.4	13.0	15.0	21.5	1570	1750	2270	>50Khrs	>50Khrs	≤50Khrs
S11976	12T8/LED/48-840/DM/A-B	4000	12	1800	150	10.2	12.0	16.4	13.0	15.0	21.5	1620	1800	2330	>50Khrs	>50Khrs	≤50Khrs
S11977	12T8/LED/48-850/DM/A-B	5000	12	1800	150	10.2	12.0	16.4	13.0	15.0	21.5	1620	1800	2330	>50Khrs	>50Khrs	≤50Khrs

SATCO DISTRIBUTION CENTERS

NEW YORK (HQ)

110 HEARTLAND BLVD
BRENTWOOD, NY 11717
T. 631-243-2022
F. 631-243-2027

TEXAS

2000 VALWOOD PKWY
FARMERS BRANCH, TX 75234
T. 972-247-2437
F. 972-247-5408

FLORIDA

900 NW 159TH DR
MIAMI, FL 33169
T. 305-624-2044
F. 305-623-0286

CALIFORNIA

31288 SAN BENITO ST
HAYWARD, CA 94544
T. 510-487-4822
F. 510-487-8955

WASHINGTON

4710 116TH ST SW
MUKILTEO, WA 98275
T. 425-789-3300
F. 425-789-3310

PUERTO RICO

CAMPECHE STREET, 23
JULIO N. MATOS INDUSTRIAL PARK
CAROLINA, PR 00984
T. 787-757-3510
F. 787-757-3540

Products inventoried in Canada & Mexico, contact: internationalsales@satco.com / 631-243-2022 Ext. 315



**COLOR QUICK™ LED TUBES:
THE T8 LAMPS THAT REDUCE
ENERGY COSTS & SKUS.**



- CCT SELECTABLE**
- BALLAST BYPASS REPLACES 4' T8 & T12**
- BALLAST COMPATIBLE REPLACES T8 ON ELECTRONIC IS & RS BALLASTS**
- SINGLE SLEEVE OR RETAIL-READY 2-PACK**
- ALL GLASS TUBE**
- 5 YEAR WARRANTY**

Satco's Color Quick CCT selectable lamps are some of the most versatile T8 lamps in the industry. Available in both Type A and Type B, they cover a wide range of fixtures and applications. That, and the ability to choose your color temperature make them especially valuable in commercial settings—order one lamp and cover multiple venues. With over 40% savings over standard T8 systems, reduced lamp inventory and maintenance, and extreme versatility, this is the T8 replacement lamp you need.

- CCT Selectable
- Ballast bypass replaces 4' T8 & T12
- Ballast compatible replaces T8 on electronic IS & RS ballast
- Single sleeve or retail-ready 2-pack
- All glass tube
- 5 Year warranty

Attractive, informative 2-packs



Item	Description	W	V	Base	CCT	Lm	CRI	Beam	MOL (in.)	Life (hrs.)	UPC	Pack
Direct Replacement - Ballast Compatible												
S11918*	10T8/LED/48/840-850-865/DR/2PK	10	---	G13	4000K/5000K/6500K	1800	83	220°	48	50K	045923119187	10-2 pks
S11928*	10T8/LED/48/840-850-865/DR	10	---	G13	4000K/5000K/6500K	1800	83	220°	48	50K	045923119286	25 pk
S11968*	10T8/LED/48/830-835-840/DR	10	---	G13	3000K/3500K/4000K	1800	83	220°	48	50K	045923119682	25 pk
Direct Wire - Ballast Bypass												
S11919**	12.5T8/LED/48/840-850-865/BP/2PK	12.5	120-277	G13	4000K/5000K/6500K	1800	83	220°	48	50K	045923119194	10-2 pks
S11929**	12.5T8/LED/48/840-850-865/BP	12.5	120-277	G13	4000K/5000K/6500K	1800	83	220°	48	50K	045923119293	25 pk
S11969**	12.5T8/LED/48/830-835-840/BP	12.5	120-277	G13	3000K/3500K/4000K	1800	83	220°	48	50K	045923119699	25 pk

SATCO DISTRIBUTION CENTERS

NEW YORK (HQ)
 110 HEARTLAND BLVD
 BRENTWOOD, NY 11717
 T. 631-243-2022
 F. 631-243-2027

TEXAS
 2000 VALWOOD PKWY
 FARMERS BRANCH, TX 75234
 T. 972-247-2437
 F. 972-247-5408


FLORIDA
 900 NW 159TH DR
 MIAMI, FL 33169
 T. 305-624-2044
 F. 305-623-0286

CALIFORNIA
 31288 SAN BENITO ST
 HAYWARD, CA 94544
 T. 510-487-4822
 F. 510-487-8955

WASHINGTON
 4710 116TH ST SW
 MUKILTEO, WA 98275
 T. 425-789-3300
 F. 425-789-3310

PUERTO RICO
 CAMPECHE STREET, 23
 JULIO N. MATOS INDUSTRIAL PARK
 CAROLINA, PR 00984
 T. 787-757-3510
 F. 787-757-3540

Products inventoried in Canada & Mexico, contact: internationalsales@satco.com / 631-243-2022 Ext. 315



347V LINEAR LED BALLAST BYPASS (TYPE B) T8 SERIES WITH DOUBLE ENDED WIRING



DOUBLE ENDED WIRING

ALL-GLASS TUBE

**DIRECT WIRE 347
LINE VOLTAGE**

DAMP LOCATION

DLC LISTED

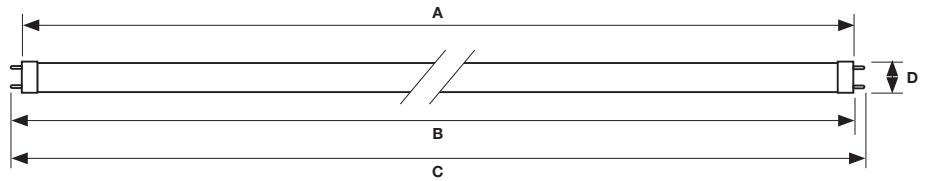
LONG LIFE—50,000 HOURS

Satco's new generation of Type B ballast bypass lamps, designed to replace T8 or T12 medium bi-pin fluorescent lamps are available in 4' lengths. They are engineered for double-ended wiring and will not light unless ballast is bypassed. Commercial venues, schools, hospitality, health care — any large scale lighting application — will benefit from immediate energy savings and less maintenance.

**SATCO LED LAMPS**

347V LED TYPE “B” T8 LAMPS

- Double ending wiring
- Installation protection*
- All-glass tube
- Direct wire 347 line voltage
- Damp location
- DLC Listed
- Long life—50,000 Hours



Dimensions

SIZE	WATTAGE	A Length (in.)	B Length (in.)	C Length (in.)	D Length (in.)
4 Foot	14W/17W	47.22	47.50	47.78	1.02

347V LED T8 - Ballast Bypass



Item	Description	W	Lamp Efficacy	CRI	Base Type	Beam	CCT	Lumens	M.O.L. (in.)	Life/Hrs.	UPC	Pack
S11744	14T8/LED/48-840/BP/DE/347V	14	162	82	G13	210	4000K	1800	48	50K	045923117442	25
S11745	14T8/LED/48-850/BP/DE/347V	14	162	82	G13	210	5000K	1800	48	50K	045923117459	25
S11746	17T8/LED/48-840/BP/DE/347V	17	162	82	G13	210	4000K	2200	48	50K	045923117466	25
S11747	17T8/LED/48-850/BP/DE/347V	17	162	82	G13	210	5000K	2200	48	50K	045923117473	25

*Protection against improper installation. Lamps will not light if the ballast has not been bypassed.

SATCO DISTRIBUTION CENTERS

NEW YORK (HQ)
110 HEARTLAND BLVD
BRENTWOOD, NY 11717
T. 631-243-2022
F. 631-243-2027

TEXAS
2000 VALWOOD PKWY
FARMERS BRANCH, TX 75234
T. 972-247-2437
F. 972-247-5408

FLORIDA
900 NW 159TH DR
MIAMI, FL 33169
T. 305-624-2044
F. 305-623-0286

CALIFORNIA
31288 SAN BENITO ST
HAYWARD, CA 94544
T. 510-487-4822
F. 510-487-8955

WASHINGTON
4710 116TH ST SW
MUKILTEO, WA 98275
T. 425-789-3300
F. 425-789-3310

PUERTO RICO
CAMPECHE STREET, 23
JULIO N. MATOS INDUSTRIAL PARK
CAROLINA, PR 00984
T. 787-757-3510
F. 787-757-3540

Products inventoried in Canada & Mexico, contact: internationalsales@satco.com / 631-243-2022 Ext. 315

OUR NEW, ATTRACTIVE BR30 2-PACK FLOOR DISPLAYS ENCOURAGE STOCKING UP ON OUR ENERGY EFFICIENT LED BULBS.

65W BR30 Replacements, 2700K & 5000K Displays

Perfect for:

- Lamp aisle end caps
- Point of sale
- Stand alone
- Single tray with header on counters
- General contractors & homeowners

LED BR30 65 Watt replacement 2-pack displays, Choose 2700K or 5000K CCT

9.5 Watt LED BR30	9.5 Watt LED BR30
850 Lumens	850 Lumens
2700K	5000K
Dimmable	Dimmable
T20, T24, JA8	T20
ENERGY STAR	ENERGY STAR

Item #	Description	Watt	Replaces	CCT	Lm	CRI	Pack
D2108	BR30 2 Pack Display	9.5	65W	2700	850	90	36-2pks
D2109	BR30 2 Pack Display	9.5	65W	5000	850	90	36-2pks

*Sold per display only



SATCO DISTRIBUTION CENTERS

NEW YORK (HQ)
 110 HEARTLAND BLVD
 BRENTWOOD, NY 11717
 T. 631-243-2022
 F. 631-243-2027

TEXAS
 2000 VALWOOD PKWY
 FARMERS BRANCH, TX 75234
 T. 972-247-2437
 F. 972-247-5408

FLORIDA
 900 NW 159TH DR
 MIAMI, FL 33169
 T. 305-624-2044
 F. 305-623-0286

CALIFORNIA
 31288 SAN BENITO ST
 HAYWARD, CA 94544
 T. 510-487-4822
 F. 510-487-8955

WASHINGTON
 4710 116TH ST SW
 MUKILTEO, WA 98275
 T. 425-789-3300
 F. 425-789-3310

PUERTO RICO
 CAMPECHE STREET, 23
 JULIO N. MATOS INDUSTRIAL PARK
 CAROLINA, PR 00984
 T. 787-757-3510
 F. 787-757-3540

Products inventoried in Canada & Mexico, contact: internationalsales@satco.com / 631-243-2022 Ext. 315

**BRING LED BR40
 TECHNOLOGY FRONT
 AND CENTER WITH
 THIS NEW, ATTRACTIVE
 FLOOR DISPLAY.**

**Compact display with clear
 product messaging that will
 attract customers' attention.**

Perfect for:

- Lamp aisle end caps
- Checkout end caps
- Stand alone
- Single tray with header on counters

**LED BR40 Reflector lamp display,
 Item # D2101**

- 11.5 Watt LED BR40/Soft White
- 940 Lumens/75W Replacement
- Dimmable
- Energy Star
- Contains 36 single packs of S9635, 3000K
- Floor display overall dimensions:
 21.5" W x 17" D x 54" H
- Counter unit dimensions with header:
 21" W x 16.5" D x 17.5" H
- Counter unit dimensions without header:
 21" W x 16.5" D x 7" H



SATCO DISTRIBUTION CENTERS

NEW YORK (HQ)
 110 HEARTLAND BLVD
 BRENTWOOD, NY 11717
 T. 631-243-2022
 F. 631-243-2027

TEXAS
 2000 VALWOOD PKWY
 FARMERS BRANCH, TX 75234
 T. 972-247-2437
 F. 972-247-5408

FLORIDA
 900 NW 159TH DR
 MIAMI, FL 33169
 T. 305-624-2044
 F. 305-623-0286

CALIFORNIA
 31288 SAN BENITO ST
 HAYWARD, CA 94544
 T. 510-487-4822
 F. 510-487-8955

WASHINGTON
 4710 116TH ST SW
 MUKILTEO, WA 98275
 T. 425-789-3300
 F. 425-789-3310

PUERTO RICO
 CAMPECHE STREET, 23
 JULIO N. MATOS INDUSTRIAL PARK
 CAROLINA, PR 00984
 T. 787-757-3510
 F. 787-757-3540

Products inventoried in Canada & Mexico, contact: internationalsales@satco.com / 631-243-2022 Ext. 315

EFFICIENT LED FOR LARGE SPACES, PRESENTED IN THIS NEW, ATTRACTIVE FLOOR DISPLAY.

Compact display with clear product messaging that will attract customer's attention.

Perfect for:

- | Lighting, Hardware and Automotive departments
- | Lamp aisle end caps
- | Checkout end caps
- | Stand alone
- | Single tray with header on counters

LED 30W Multi-beam garage/utility light display
Item # D2103

- | 30 Watt LED Adjustable light panels-- 100° to 300° beam angle
- | 3000 Lumens/200W Replacement
- | Non-dimmable
- | E26 base
- | Contains 36 single packs S13146
- | 5000K lamps



D2103
36 Piece
LED Multi-beam
garage/utility light



SATCO DISTRIBUTION CENTERS

NEW YORK (HQ)
 110 HEARTLAND BLVD
 BRENTWOOD, NY 11717
 T. 631-243-2022
 F. 631-243-2027

TEXAS
 2000 VALWOOD PKWY
 FARMERS BRANCH, TX 75234
 T. 972-247-2437
 F. 972-247-5408

FLORIDA
 900 NW 159TH DR
 MIAMI, FL 33169
 T. 305-624-2044
 F. 305-623-0286

CALIFORNIA
 31288 SAN BENITO ST
 HAYWARD, CA 94544
 T. 510-487-4822
 F. 510-487-8955

WASHINGTON
 4710 116TH ST SW
 MUKILTEO, WA 98275
 T. 425-789-3300
 F. 425-789-3310

PUERTO RICO
 CAMPECHE STREET, 23
 JULIO N. MATOS INDUSTRIAL PARK
 CAROLINA, PR 00984
 T. 787-757-3510
 F. 787-757-3540

Products inventoried in Canada & Mexico, contact: internationalsales@satco.com / 631-243-2022 Ext. 315

THIS NEW, ATTRACTIVE FLOOR DISPLAY ENCOURAGES STOCKING UP ON OUR ENERGY EFFICIENT LED BULBS. 60 & 100 WATT REPLACEMENTS.

60 & 100 Watt A19 Replacements, 2700K & 5000K Displays

Perfect for:

- Lamp aisle end caps
- Point of sale
- Stand alone
- Single tray with header on counters
- General contractors & homeowners

LED A19 60 & 100 Watt replacement 8-pack displays, Choose 2700K or 5000K CCT

- | | |
|----------------|-----------------|
| 9 Watt LED A19 | 14 Watt LED A19 |
| 750 Lumens | 1500 Lumens |
| Non-dimmable | Non-dimmable |

Item #	Description	Watt	Replaces	CCT	Lm	Pack
D2104	A19 Display/8 pack	9	60W	2700	750	36-8pks
D2105	A19 Display/8 pack	9	60W	5000	750	36-8pks
D2106	A19 Display/8 pack	14	100W	2700	1500	36-8pks
D2107	A19 Display/8 pack	14	100W	5000	1500	36-8pks

*Sold per display only



SATCO DISTRIBUTION CENTERS

NEW YORK (HQ)
 110 HEARTLAND BLVD
 BRENTWOOD, NY 11717
 T. 631-243-2022
 F. 631-243-2027

TEXAS
 2000 VALWOOD PKWY
 FARMERS BRANCH, TX 75234
 T. 972-247-2437
 F. 972-247-5408

FLORIDA
 900 NW 159TH DR
 MIAMI, FL 33169
 T. 305-624-2044
 F. 305-623-0286

CALIFORNIA
 31288 SAN BENITO ST
 HAYWARD, CA 94544
 T. 510-487-4822
 F. 510-487-8955

WASHINGTON
 4710 116TH ST SW
 MUKILTEO, WA 98275
 T. 425-789-3300
 F. 425-789-3310

PUERTO RICO
 CAMPECHE STREET, 23
 JULIO N. MATOS INDUSTRIAL PARK
 CAROLINA, PR 00984
 T. 787-757-3510
 F. 787-757-3540

Products inventoried in Canada & Mexico, contact: internationalsales@satco.com / 631-243-2022 Ext. 315

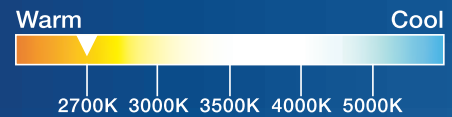
**NEW COLOR SELECTABLE
DOWNLIGHT RETROFITS –
NOW IN 3 FINISHES**

**MORE VERSATILITY
MORE VALUE
MORE OPPORTUNITY
IN EVERY PRODUCT**



With a convenient switch on the back, our ColorQuick® retrofit downlights can be set to one of 5 CCT temperatures ranging from a warm 2700K to cool 5000K covering the needs of a multitude of installation applications.

Available in Black, Bronze and Brushed Nickel trim finishes, these no maintenance, energy saving retrofits now offer more versatility than ever.



5 SELECTABLE CCT SETTINGS

**3 NEW TRIM FINISHES—BLACK,
BRONZE AND BRUSHED NICKEL**

**2 SIZES - 4" AND 5/6" STANDARD
RECESSED HOUSING**

WET LOCATION

ENERGY STAR® CERTIFIED



BRONZE

BRUSHED NICKEL

BLACK



SATCO NUVO FUNCTIONAL

LED COLOR SELECTABLE DOWNLIGHT RETROFITS



S11832 / 4" BLACK



S11835 / 5-6" BLACK

- 5 Selectable CCT Settings
- 3 New Trim Finishes—Black, Bronze And Brushed Nickel
- 2 Sizes - 4" and 5/6" Standard Recessed Housings
- Wet Location
- Dimmable
- Energy Star Certified
- 50,000 Hrs



S11833 / 4" BRUSHED NICKEL



S11836 / 5-6" BRUSHED NICKEL



Color changeable - 5 color temperature settings



S11834 / 4" BRONZE



S11837 / 5-6" BRONZE

- E26 Adapter included (S9001)
- GU10 Adapter sold separately (S9000)
- GU24 Adapter sold separately (S8999)



Item Number	Lamp Description	W	V	Finish	CRI	CCT	Lm	Bm	M.O.L. (Inches)	Life/ Hrs.	UPC	Pack
S11832	7WLED/RDL/4/CCT-SEL/120V/BL	7	120	Black	90	27K,30K,35K,40K,50K	600	90°	3	50K	045923118326	16/1
S11833	7WLED/RDL/4/CCT-SEL/120V/BN	7	120	Br. Nickel	90	27K,30K,35K,40K,50K	600	90°	3	50K	045923118333	16/1
S11834	7WLED/RDL/4/CCT-SEL/120V/BZ	7	120	Bronze	90	27K,30K,35K,40K,50K	600	90°	3	50K	045923118340	16/1
S11835	9WLED/RDL/5-6/CCT-SEL/120V/BL	9	120	Black	90	27K,30K,35K,40K,50K	800	90°	3 1/4	50K	045923118357	8/1
S11836	9WLED/RDL/5-6/CCT-SEL/120V/BN	9	120	Br. Nickel	90	27K,30K,35K,40K,50K	800	90°	3 1/4	50K	045923118364	8/1
S11837	9WLED/RDL/5-6/CCT-SEL/120V/BZ	9	120	Bronze	90	27K,30K,35K,40K,50K	800	90°	3 1/4	50K	045923118371	8/1

SATCO DISTRIBUTION CENTERS

NEW YORK (HQ)
110 HEARTLAND BLVD
BRENTWOOD, NY 11717
T. 631-243-2022
F. 631-243-2027

TEXAS
2000 VALWOOD PKWY
FARMERS BRANCH, TX 75234
T. 972-247-2437
F. 972-247-5408

FLORIDA
900 NW 159TH DR
MIAMI, FL 33169
T. 305-624-2044
F. 305-623-0286

CALIFORNIA
31288 SAN BENITO ST
HAYWARD, CA 94544
T. 510-487-4822
F. 510-487-8955

WASHINGTON
4710 116TH ST SW
MUKILTEO, WA 98275
T. 425-789-3300
F. 425-789-3310

PUERTO RICO
CAMPECHE STREET, 23
JULIO N. MATOS INDUSTRIAL PARK
CAROLINA, PR 00984
T. 787-757-3510
F. 787-757-3540

Products inventoried in Canada & Mexico, contact: internationalsales@satco.com / 631-243-2022 Ext. 315

**NEW!
LED CCT SELECTABLE
GIMBAL DOWNLIGHTS
WITH NEW TRIM FINISHES**

**MORE VERSATILITY,
MORE APPLICATIONS
AND MORE VALUE IN
EVERY FIXTURE**



5 SELECTABLE CCT SETTINGS

**3 NEW TRIM FINISHES—BLACK, BRONZE
AND BRUSHED NICKEL**

**2 SIZES—4" AND 5/6" STANDARD
RECESSED HOUSING**

IC RATED

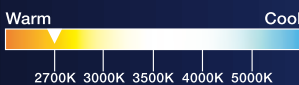
DAMP LOCATION

50,000 HOURS

ENERGY STAR CERTIFIED

With just the flick of a switch, our ColorQuick® gimbal retrofit downlights can be set to one of 5 CCT temperatures ranging from a warm 2700K to cool 5000K covering the needs of a multitude of installation applications.

Available in Black, Bronze and Brushed Nickel trim finishes, these no-maintenance, energy-saving fixtures now offer more versatility and style than ever.



BRONZE



BRUSHED
NICKEL



BLACK



SATCO NUVO FUNCTIONAL

**LED CCT SELECTABLE
GIMBAL DOWNLIGHTS
WITH NEW TRIM FINISHES**



S11854 / 4" BLACK



S11857 / 5-6" BLACK

- 5 Selectable CCT settings
- 3 New trim finishes—Black, Bronze and Brushed Nickel
- 2 Sizes—4" and 5/6" standard recessed housing
- IC Rated
- Damp location
- 50,000 Hours
- ENERGY STAR Certified
- 5 Year warranty



S11855 / 4" BRUSHED NICKEL



S11858 / 5-6" BRUSHED NICKEL



Color changeable - 5 color temperature settings



S11856 / 4" BRONZE



S11859 / 5-6" BRONZE



E26 Adapter included (S9001)
GU10 Adapter sold separately (S9000)
GU24 Adapter sold separately (S8999)



Item	Description	W	Finish	CCT	Lm	Beam Angle	M.O.L. (inches)	UPC	Pack
4"									
S11854	7.5WLED/DIR/4/60°/CCT-SEL/120V/BL	7.5	BLACK	27K,30K,35K,40K,50K	600	60°	3.54	045923118548	8
S11855	7.5WLED/DIR/4/60°/CCT-SEL/120V/BN	7.5	BRUSHED NICKEL	27K,30K,35K,40K,50K	600	60°	3.54	045923118555	8
S11856	7.5WLED/DIR/4/60°/CCT-SEL/120V/BZ	7.5	BRONZE	27K,30K,35K,40K,50K	600	60°	3.54	045923118562	8
5-6"									
S11857	10.5WLED/DIR/5-6/CCT-SEL/120V/BL	10.5	BLACK	27K,30K,35K,40K,50K	800	90°	3.9	045923118579	8
S11858	10.5WLED/DIR/5-6/CCT-SEL/120V/BN	10.5	BRUSHED NICKEL	27K,30K,35K,40K,50K	800	90°	3.9	045923118586	8
S11859	10.5WLED/DIR/5-6/CCT-SEL/120V/BZ	10.5	BRONZE	27K,30K,35K,40K,50K	800	90°	3.9	045923118593	8

*Consult Satco or visit www.satco.com for an up to date dimmer compatibility list.

SATCO DISTRIBUTION CENTERS

NEW YORK (HQ)

110 HEARTLAND BLVD
BRENTWOOD, NY 11717
T. 631-243-2022
F. 631-243-2027

TEXAS

2000 VALWOOD PKWY
FARMERS BRANCH, TX 75234
T. 972-247-2437
F. 972-247-5408

FLORIDA

1694 NW 215TH ST
MIAMI GARDENS, FL 33056
T. 305-624-2044
F. 305-623-0286

CALIFORNIA

31288 SAN BENITO ST
HAYWARD, CA 94544
T. 510-487-4822
F. 510-487-8955

WASHINGTON

4710 116TH ST SW
MUKILTEO, WA 98275
T. 425-789-3300
F. 425-789-3310

PUERTO RICO

CAMPECHE STREET, 23
JULIO N. MATOS INDUSTRIAL PARK
CAROLINA, PR 00984
T. 787-757-3510
F. 787-757-3540

For international sales contact: internationalsales@satco.com / 631-243-2022 Ext. 315

**4" DIRECTIONAL
 DOWNLIGHT WITH
 REMOTE DRIVER**



**CCT SELECTABLE 2700K, 3000K,
 3500K/4000K/5000K**

**360° ROTATION, 0° TO 80° AIMING
 ANGLE**

**4" ROUND OR SQUARE, BLACK OR
 WHITE FINISH**

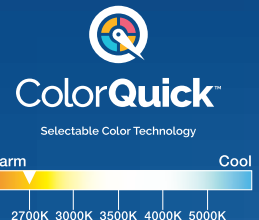
DAMP LOCATION

LONG LIFE—50,000 HOURS

ENERGY STAR

These low profile, CCT selectable remote driver downlights deliver multiple advantages to any general recessed lighting project. Choose the color temperature from 5 settings. With 360° rotation and 0° to 80° aiming capability, efficient LED light can be delivered wherever it's needed.

The remote driver makes for more installation flexibility. No recessed can is required; it fits neatly into shallow ceilings, cabinets, low-clearance basement ceilings and more. These downlights work for both new and existing construction, are damp location rated and ENERGY STAR certified.



Optional accessories:



SATCO LED LAMPS

**DIRECTIONAL GIMBAL LED
CCT SELECTABLE REMOTE
DRIVER DOWNLIGHTS**

CCT selectable 2700K/3000K/3500K/
4000K/5000K

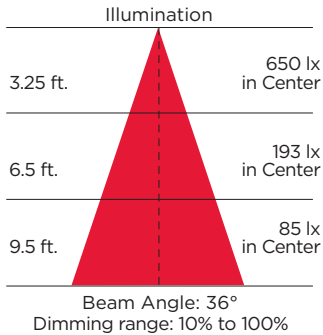
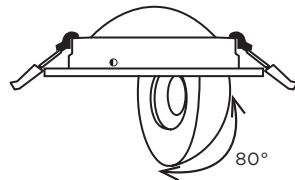
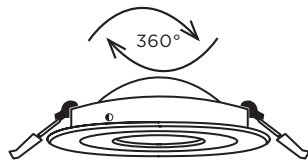
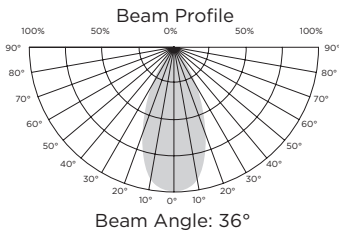
360° Rotation, 0° to 80° aiming angle

4" Round or square, black or white finish

Damp location

Long life—50,000 hours

ENERGY STAR



S11840



S11842



S11841



S11843



Item	Description	W	V	CCT Selectable	CRI	Beam	Lm	M.O.L. (In.)	M.O.D. (In.)	Life/ Hrs.	UPC
ROUND											
S11840	9WLED/GBL/4/CCT/RND/WH	9	120	27K,30K,35K,40K,50K	90	36°	650-750	1.02	4.92	50K	045923118401
S11842	9WLED/GBL/4/CCT/RND/BLK	9	120	27K,30K,35K,40K,50K	90	36°	650-750	1.02	4.92	50K	045923118425
SQUARE											
S11841	9WLED/GBL/4/CCT/SQ/WH	9	120	27K,30K,35K,40K,50K	90	36°	650-750	1.02	4.92	50K	045923118418
S11843	9WLED/GBL/4/CCT/SQ/BLK	9	120	27K,30K,35K,40K,50K	90	36°	650-750	1.02	4.92	50K	045923118432
ACCESSORIES											
80-943	ROUGH-IN PLATE / BARS 4" RD										045923809439
80-946	GOOF RING 4" - DIRECT WIRE DL - 6" OUTSIDE DIAMETER										045923809460
80-949	REMOTE DRIVER 6' EXTENSION CABLE										045923809491
86-216	REMOTE DRIVER TEMP LIGHT										045923862168

*Visit satco.com for dimmer compatibility list

SATCO DISTRIBUTION CENTERS

NEW YORK (HQ)
110 HEARTLAND BLVD
BRENTWOOD, NY 11717
T. 631-243-2022
F. 631-243-2027

TEXAS
2000 VALWOOD PKWY
FARMERS BRANCH, TX 75234
T. 972-247-2437
F. 972-247-5408

FLORIDA
900 NW 159TH DR
MIAMI, FL 33169
T. 305-624-2044
F. 305-623-0286

CALIFORNIA
31288 SAN BENITO ST
HAYWARD, CA 94544
T. 510-487-4822
F. 510-487-8955

WASHINGTON
4710 116TH ST SW
MUKILTEO, WA 98275
T. 425-789-3300
F. 425-789-3310

PUERTO RICO
CAMPECHE STREET, 23
JULIO N. MATOS INDUSTRIAL PARK
CAROLINA, PR 00984
T. 787-757-3510
F. 787-757-3540

Products inventoried in Canada & Mexico, contact: internationalsales@satco.com / 631-243-2022 Ext. 315

**A SIMPLE, ELEGANT
AND EFFICIENT
MULTI-PURPOSE
LED SOLUTION.**



ColorQuick™

Selectable color temperature

3000K 4000K 5000K



**3000K/ 4000K/5000K
SELECTABLE***

DIMMABLE†

MOUNTS TO 4" JUNCTION BOXES

ENERGY STAR

WET LOCATION

**AVAILABLE IN WHITE, BRUSHED
NICKEL, BRONZE OR BLACK
FINISH**

**3000K & 5000K VERSIONS
AVAILABLE IN CONTRACTOR
6-PACKS**

5 YEAR WARRANTY

*Not available in contractor packs



This easy to install, efficient LED surface mount fixture offers the appearance of a downlight without the cost of a recessed can or remote driver. Selectable color temperature at 3000K, 4000K or 5000K means you will deliver the appropriate ambiance almost anywhere, including kitchens, baths, hallways and offices. It installs easily into 4" junction boxes, and comes in White, Brushed Nickel, Bronze or Black finishes.



SATCO NUVO FUNCTIONAL

Features:

- 3000K/4000K/ 5000K Selectable*
- Dimmable†
- Mounts to 4" junction boxes
- ENERGY STAR
- Wet Location
- Available in White, Brushed Nickel, Bronze or Black Finish.
- 3000K & 5000K versions available in Contractor 6-Packs
- 5 Year warranty



White



Black



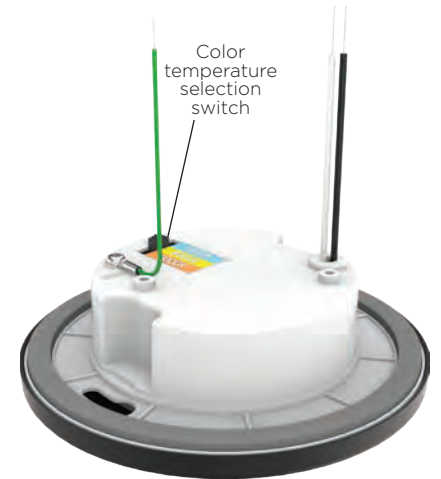
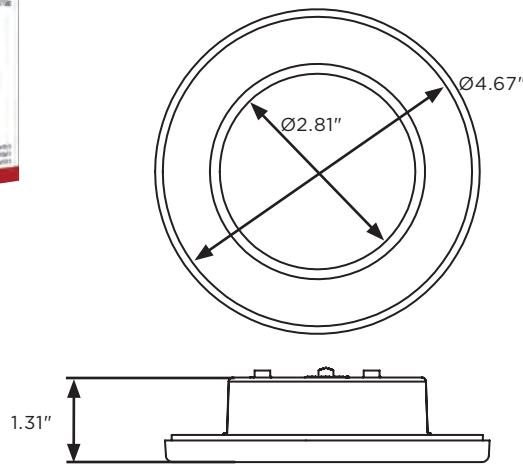
Brushed Nickel



Bronze



3000K & 5000K Options available in contractor 6-Packs, White finish



* **9 WATTS** **120 VOLT** **DIMMABLE** **WET LOCATION** **90 CRI** **5 Year Warranty** **50,000 HOURS** **Efficiency Standards JAB T24 California Title 24 Residential and Non-Residential Compliant**

Item	Description	CCT	Lm	UPC	Pk
62-1580	4" LED - WHITE - CONTRACTOR 6-PACK	3000K	650	045923615801	4
62-1590	4" LED - WHITE - CONTRACTOR 6-PACK	5000K	680	045923615900	4
62-1581*	4" LED - WHITE	3000K/4000K/5000K	680-720	045923625497	16
62-1582*	4" LED - BRUSHED NICKEL	3000K/4000K/5000K	680-720	045923626982	16
62-1583*	4" LED - BRONZE	3000K/4000K/5000K	680-720	045923626999	16
62-1584*	4" LED - BLACK	3000K/4000K/5000K	680-720	045923627002	16

*See satco.com for dimmer compatibility *Not available in contractor packs.

SATCO DISTRIBUTION CENTERS

NEW YORK (HQ)
 110 HEARTLAND BLVD
 BRENTWOOD, NY 11717
 T. 631-243-2022
 F. 631-243-2027

TEXAS
 2000 VALWOOD PKWY
 FARMERS BRANCH, TX 75234
 T. 972-247-2437
 F. 972-247-5408

FLORIDA
 900 NW 159TH DR
 MIAMI, FL 33169
 T. 305-624-2044
 F. 305-623-0286

CALIFORNIA
 31288 SAN BENITO ST
 HAYWARD, CA 94544
 T. 510-487-4822
 F. 510-487-8955

WASHINGTON
 4710 116TH ST SW
 MUKILTEO, WA 98275
 T. 425-789-3300
 F. 425-789-3310

PUERTO RICO
 CAMPECHE STREET, 23
 JULIO N. MATOS INDUSTRIAL PARK
 CAROLINA, PR 00984
 T. 787-757-3510
 F. 787-757-3540

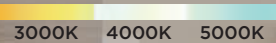
Products inventoried in Canada & Mexico, contact: internationalsales@satco.com / 631-243-2022 Ext. 315

**THE SLIM, VERSATILE
 AND EFFICIENT
 WAY TO LIGHT
 ALMOST ANY SPACE**



ColorQuick™

Selectable color temperature



3000K/4000K/5000K SELECTABLE*

**3000K & 5000K VERSIONS AVAILABLE IN
 CONTRACTOR 6-PACKS**

7" & 10" SIZES

MOUNTS TO 3" AND 4" JUNCTION BOXES

DIMMABLE†

**OCCUPANCY SENSOR
 (IN WHITE FINISH ONLY)**

**AVAILABLE IN WHITE, BLACK, BRONZE OR
 BRUSHED NICKEL**

WET LOCATION

**CLOSET COMPLIANT WITH
 NEC 410.16 (A)(3) AND NEC 410.16 (C)(5)**

LED Disk fixtures now feature Satco's ColorQuick™ selectable CCT technology for even more versatility—Simple CCT selection, easy installation and integrated on/off PIR sensor versions make this the most versatile design available. Single CCT versions are also available in contractor 6 packs. The Satco LED disk fixtures are truly an all-purpose lighting solution.



6-Unit contractor packs available

*Not Available in Contractor Packs
 †See satco.com for dimmer capability



SATCO NUVO FUNCTIONAL



Features:

Compliant with NEC 410.16 (A)(3) and NEC 410.16 (C) (5)

Mounts to 3" & 4" junction boxes - includes crossbar

Durable white lens (PMMA)

5 Year warranty



ColorQuick™

Selectable color temperature

3000K 4000K 5000K

*Not Available in Contractor Packs

7 Inch



10 Inch



with Occupancy Sensor



Finishes



White



Brushed Nickel



Bronze



Black



ColorQuick™

Selectable color temperature

3000K 4000K 5000K



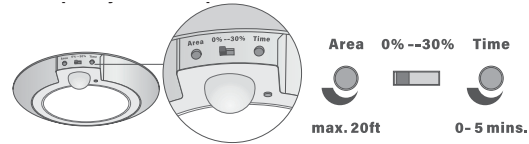
Single packs
CCT selectable

Convenient 6 packs for
large scale projects —
7" and 10", Brushed Nickel or White
finish

Dedicated CCT — 3K and 5K

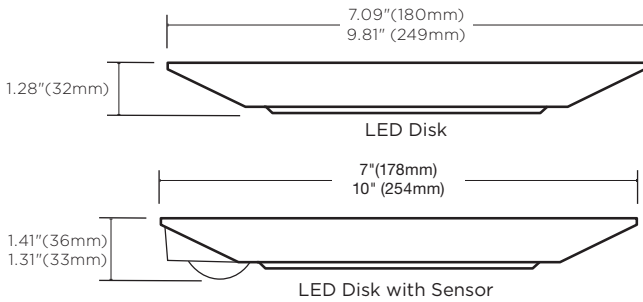
3000K/4000K/5000K Selectable*
 3000K & 5000K versions available in contractor 6-packs
 7" & 10" sizes
 Mounts to 3" and 4" junction boxes
 Dimmable†
 Occupancy sensor (in white finish only)
 Available in white, black, bronze or brushed nickel
 Wet location
 Closet compliant with NEC 410.16 (A) (3) and NEC 410.16 (C) (5)

Occupancy sensor operation



There are 3 sensor settings on the side. Use a flat screwdriver to adjust.

- 1 Area** Sensor activation area can be set for a diameter of 0ft to a maximum of 20 ft
- 2 0% - 30%** The fixture can be set at default brightness of 0 (not lit in OFF condition) or 30% (maintain 30% of full output in OFF condition)
- 3 Time** Time options from 0 to 5 minutes for ON time after activation



Item	Description	W	CCT	Lm	UPC	Pk
62-1660	7" LED WHITE/CONTRACTOR 6 PK	12	3000K	920	045923616600	6
62-1661**	7" LED WHITE/CONTRACTOR 6 PK	12	5000K	970	045923616617	6
62-1662	7" LED BRUSHED NICKEL/CONTRACTOR 6 PK	12	3000K	850	045923616624	6
62-1663**	7" LED BRUSHED NICKEL/CONTRACTOR 6 PK	12	5000K	890	045923616631	6
62-1670	10" LED WHITE/CONTRACTOR 6 PK	16	3000K	1170	045923616709	6
62-1671**	10" LED WHITE/CONTRACTOR 6 PK	16	5000K	1230	045923616716	6
62-1672	10" LED BRUSHED NICKEL/CONTRACTOR 6 PK	16	3000K	1130	045923616723	6
62-1673**	10" LED BRUSHED NICKEL/CONTRACTOR 6 PK	16	5000K	1120	045923616730	6
62-1664	7" LED WHITE	13	3000K/4000K/5000K	930-1070	045923616648	1
62-1665	7" LED BRUSHED NICKEL	13	3000K/4000K/5000K	860-980	045923616655	1
62-1666	7" LED BRONZE	13	3000K/4000K/5000K	780-910	045923616662	1
62-1667	7" LED BLACK	13	3000K/4000K/5000K	770-900	045923616679	1
62-1674	10" LED WHITE	16	3000K/4000K/5000K	1210-1325	045923616747	1
62-1675	10" LED BRUSHED NICKEL	16	3000K/4000K/5000K	1120-1220	045923616754	1
62-1676	10" LED BRONZE	16	3000K/4000K/5000K	1000-1110	045923616761	1
62-1677	10" LED BLACK	16	3000K/4000K/5000K	990-1050	045923616778	1
62-1680	7" LED WHITE W/OCC	13	3000K/4000K/5000K	930-1070	045923621307	1
62-1681	10" LED WHITE W/OCC	16	3000K/4000K/5000K	1210-1325	045923621314	1

*Not Available in Contractor Packs. †See satco.com for dimmer capability. **Not T24 compliant.

SATCO DISTRIBUTION CENTERS

NEW YORK (HQ)	TEXAS	FLORIDA	CALIFORNIA	WASHINGTON	PUERTO RICO
110 HEARTLAND BLVD BRENTWOOD, NY 11717 T. 631-243-2022 F. 631-243-2027	2000 VALWOOD PKWY FARMERS BRANCH, TX 75234 T. 972-247-2437 F. 972-247-5408	900 NW 159TH DR MIAMI, FL 33169 T. 305-624-2044 F. 305-623-0286	31288 SAN BENITO ST HAYWARD, CA 94544 T. 510-487-4822 F. 510-487-8955	4710 116TH ST SW MUKILTEO, WA 98275 T. 425-789-3300 F. 425-789-3310	CAMPECHE STREET, 23 JULIO N. MATOS INDUSTRIAL PARK CAROLINA, PR 00984 T. 787-757-3510 F. 787-757-3540

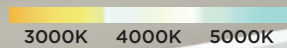
Products inventoried in Canada & Mexico, contact: internationalsales@satco.com / 631-243-2022 Ext. 315

**11" & 14" SQUARE
AND 19" ROUND
LED CLOUD FIXTURES**



ColorQuick™

Selectable color temperature



**COLOR SELECTABLE
3000K/4000K/5000K**

**11" & 14" SQUARE
19" ROUND**

**PMMA
NON-YELLOWING LENS**

**AVAILABLE WITH OR
WITHOUT ON/OFF
MICROWAVE SENSOR**

DAMP LOCATION

ENERGY STAR®



LED Cloud fixtures now feature Satco's ColorQuick™ Selectable CCT technology and integrated on/off microwave sensor versions for even more versatility.



SATCO NUVO FUNCTIONAL

**NEW! LED
CLOUD FIXTURES**

3 CCT Selectable Settings

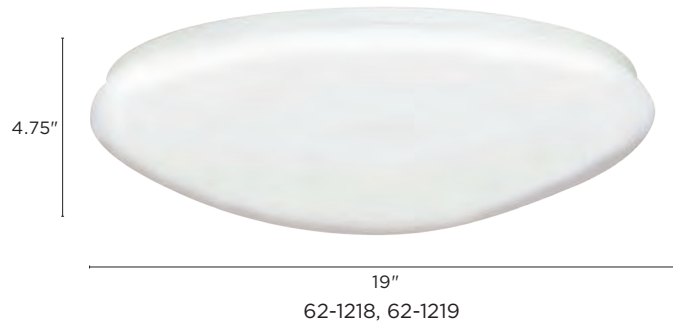
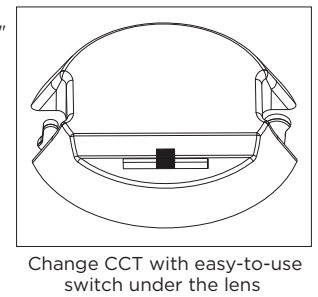
Perfect For Closets and Complies with NEC 410.16 (A)(3) & NEC 410.16(C) (5)

Sensor versions minimum room size 50 sq. ft.

Integrated Microwave Sensor Versions

ENERGY STAR® Certified

Dimmable (non-sensor versions only)*



Motion Sensor Settings

● Switch UP
○ Switch DOWN

	1	2	3	4	5	6	7	8
Switch UP	I ● ●	100%						
	II ● ○	75%						
Switch DOWN	III ○ ●	50%						
	IV ○ ○	25%						

Detection Area

	6	7	8	
Switch UP	I ● ● ●	Disable		
	II ● ○ ○	50Lux		
Switch DOWN	III ○ ● ○	25Lux		
	IV ○ ○ ○	10Lux		
	V ○ ○ ○	2Lux		

Daylight Threshold

	3	4	5	
Switch UP	I ● ● ●	T3s		
	II ● ● ○	30s		
Switch DOWN	III ● ● ○	90s		
	IV ○ ● ○	5min		
	V ○ ○ ●	10min		
	VI ○ ○ ○	30min		

Hold Time

3 second test



Item	Description	W	V	CCT	Lm	Width (Inches)	Height (Inches)	UPC	Pk
62-1214*	11" SQUARE ACRYLIC LED FLUSH	16	120	3000K/4000K/5000K	990-1100	11	3.25	045923612145	6
62-1215	11" SQUARE ACRYLIC LED FLUSH w/SENSOR	16.5	120	3000K/4000K/5000K	990-1100	11	3.25	045923612152	6
62-1216*	14" SQUARE ACRYLIC LED FLUSH	20	120	3000K/4000K/5000K	1230-1330	14	3.25	045923612169	4
62-1217	14" SQUARE ACRYLIC LED FLUSH w/SENSOR	20.5	120	3000K/4000K/5000K	1230-1330	14	3.25	045923612176	4
62-1218*	19" ACRYLIC LED FLUSH FIXTURE	32	120	3000K/4000K/5000K	2527-2732	19	4.75	045923612183	2
62-1219	19" ACRYLIC LED FLUSH FIXTURE w/SENSOR	32.5	120	3000K/4000K/5000K	2527-2732	19	4.75	045923612190	2

SATCO DISTRIBUTION CENTERS

NEW YORK (HQ)
110 HEARTLAND BLVD
BRENTWOOD, NY 11717
T. 631-243-2022
F. 631-243-2027

TEXAS
2000 VALWOOD PKWY
FARMERS BRANCH, TX 75234
T. 972-247-2437
F. 972-247-5408

FLORIDA
900 NW 159TH DR
MIAMI, FL 33169
T. 305-624-2044
F. 305-623-0286

CALIFORNIA
31288 SAN BENITO ST
HAYWARD, CA 94544
T. 510-487-4822
F. 510-487-8955

WASHINGTON
4710 116TH ST SW
MUKILTEO, WA 98275
T. 425-789-3300
F. 425-789-3310

PUERTO RICO
CAMPECHE STREET, 23
JULIO N. MATOS INDUSTRIAL PARK
CAROLINA, PR 00984
T. 787-757-3510
F. 787-757-3540

Products inventoried in Canada & Mexico, contact: internationalsales@satco.com / 631-243-2022 Ext. 315

LED DOUBLE STRIP LIGHTS OFFER THE SAME SUPERIOR LIGHT, JUST MORE OF IT!



HIGH LUMEN OUTPUT

DAMP LOCATION RATED

2KV SURGE PROTECTION

50,000 HOURS

5 YEAR WARRANTY

ENERGY STAR CERTIFIED



Our latest strip lights are the right choice in utility lighting when space is limited, but more light is needed. Their high lumen output, sleek yet rugged design and ease of installation separate them from other strip lighting. And they deliver the energy savings and low maintenance that comes with LED technology.



SATCO NUVO FUNCTIONAL

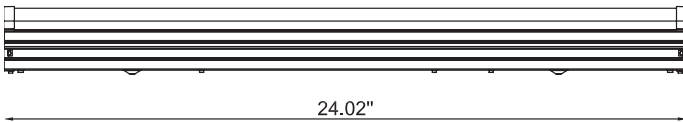
- High Lumen output
- Damp location rated
- 2KV surge protection
- 50,000 hours
- 5 Year warranty
- ENERGY STAR Certified



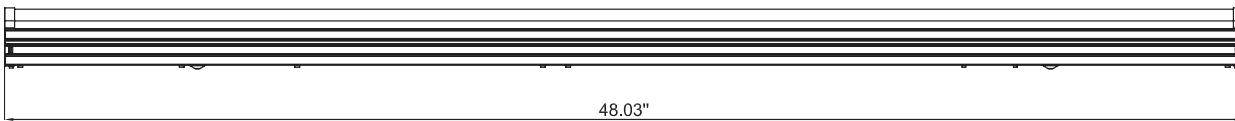
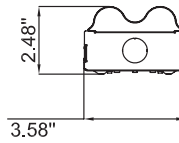
65-1070



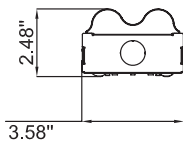
65-1071



65-1070



65-1071



Item	Description	W	CCT	Lm	UPC	Pk
65-1070	2' LED DOUBLE LIGHT STRIP	20	4000K	2200	045923610707	12
65-1071	4' LED DOUBLE LIGHT STRIP	43	4000K	4750	045923625503	8
Accessory						
86-211	PIR SENSOR - WHITE				045923862113	20

SATCO DISTRIBUTION CENTERS

NEW YORK (HQ)
110 HEARTLAND BLVD
BRENTWOOD, NY 11717
T. 631-243-2022
F. 631-243-2027

TEXAS
2000 VALWOOD PKWY
FARMERS BRANCH, TX 75234
T. 972-247-2437
F. 972-247-5408

FLORIDA
900 NW 159TH DR
MIAMI, FL 33169
T. 305-624-2044
F. 305-623-0286

CALIFORNIA
31288 SAN BENITO ST
HAYWARD, CA 94544
T. 510-487-4822
F. 510-487-8955

WASHINGTON
4710 116TH ST SW
MUKILTEO, WA 98275
T. 425-789-3300
F. 425-789-3310

PUERTO RICO
CAMPECHE STREET, 23
JULIO N. MATOS INDUSTRIAL PARK
CAROLINA, PR 00984
T. 787-757-3510
F. 787-757-3540

Products inventoried in Canada & Mexico, contact: internationalsales@satco.com / 631-243-2022 Ext. 315

**CLASSIC GOOSENECK DESIGN,
NOW WITH ADVANCED OPTIONS
AND LED TECHNOLOGY FOR
ADDED VERSATILITY.**



**3000K/4000K/5000K
SELECTABLE**

**30W/40W/50W
SELECTABLE**

**INTEGRATED PHOTOCELL
WITH ON/OFF SWITCH**

0-10V DIMMING

2KV SURGE PROTECTION

**DIE CAST ALUMINUM
WITH UV POWDER
COATED FINISH**

IP65 RATED

50,000 HOURS

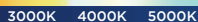
The classic adjustable head gooseneck fixture is one we've all seen often, but never with the technologies now available from Satco|Nuvo. Popular for so many applications, it might seem hard to make it even more versatile, but with added CCT and Wattage selectable technologies, photocell, a wet-location rating and clean, efficient LED light, this fixture can't be beat anywhere. It's easy to add style and efficiency to any venue with this classic design.



ColorQuick™

Selectable Color Technology

Selectable color temperature



PowerQuick™

Wattage Selectable



SATCO NUVO FUNCTIONAL

65-660
White
includes 16" mounting arm



65-661
Black
includes 16" mounting arm



65-662
Bronze
includes 16" mounting arm



Photocell control, wattage & CCT selection switches are located behind waterproof 1/2" knockout



24" Accessory Arms Available



65-657
White

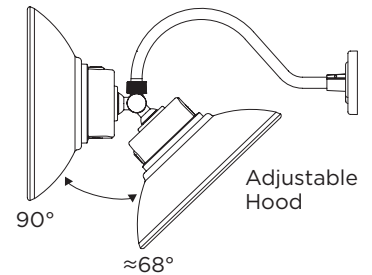
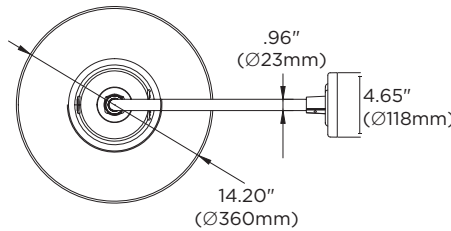
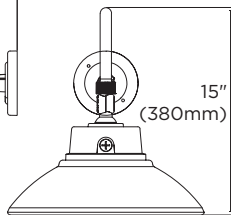
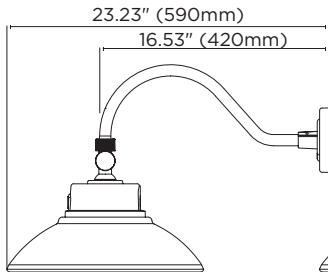


65-658
Black



65-659
Bronze

Adjustable Hood



Item	Description	Wattage Selectable	CCT Selectable	Lm	UPC	Pk
65-660	LED GOOSENECK WHITE FINISH	30W/40W/50W	3000K/4000K/5000K	3300 - 5500	045923656606	1
65-661	LED GOOSENECK BLACK FINISH	30W/40W/50W	3000K/4000K/5000K	3300 - 5500	045923656613	1
65-662	LED GOOSENECK BRONZE FINISH	30W/40W/50W	3000K/4000K/5000K	3300 - 5500	045923656620	1
65-657	24" ACCESSORY ARM WHITE FINISH	--	--	--	045923653445	15
65-658	24" ACCESSORY ARM BLACK FINISH	--	--	--	045923653452	15
65-659	24" ACCESSORY ARM BRONZE FINISH	--	--	--	045923656590	15

SATCO DISTRIBUTION CENTERS

NEW YORK (HQ) TEXAS

110 HEARTLAND BLVD 2000 VALWOOD PKWY
BRENTWOOD, NY 11717 FARMERS BRANCH, TX 75234
T. 631-243-2022 T. 972-247-2437
F. 631-243-2027 F. 972-247-5408

FLORIDA

900 NW 159TH DR
MIAMI, FL 33169
T. 305-624-2044
F. 305-623-0286

CALIFORNIA

31288 SAN BENITO ST
HAYWARD, CA 94544
T. 510-487-4822
F. 510-487-8955

WASHINGTON

4710 116TH ST SW
MUKILTEO, WA 98275
T. 425-789-3300
F. 425-789-3310

PUERTO RICO

CAMPECHE STREET, 23
JULIO N. MATOS INDUSTRIAL PARK
CAROLINA, PR 00984
T. 787-757-3510
F. 787-757-3540

Products inventoried in Canada & Mexico, contact: internationalsales@satco.com / 631-243-2022 Ext. 315

**OUR MOST COMPLETE
LINE OF HIGH-LUMEN LED
AREA LIGHTS DELIVER
SUPERIOR LIGHTING
TECHNOLOGY OVER A
WIDER RANGE OF
APPLICATIONS**



**120-277V, 120-347V AND
277-480V OPTIONS**

**BRONZE POWDER COATED
FINISH FOR ALL WEATHER
DURABILITY**

TYPE III LIGHT DISTRIBUTION

0-10V DIMMING

**BUILT-IN 4KV SURGE
PROTECTION**

IP65 RATED

**MULTIPLE MOUNTING OPTIONS
AND ADD-ON SENSORS
AVAILABLE**

LONG LIFE-50,000 HOURS

Our latest LED area lights are engineered for the highest performance in multiple applications! Built rugged using die cast aluminum and impact resistant lens these IP65 fixtures are all-weather tough. The new area light features Type III, omni directional light distribution making them the perfect choice when focused yet wider (up to 46°) lighting coverage is required. And 100 Watt to 300 Watt options make lighting large outdoor areas from various heights easier, whatever the voltage requirement.

Each maintenance-free area light comes complete with a 2-3/8" slip-fitter mount, and can also be mounted in any number of ways with the available mounting arm, square and round pole mount, yoke or trunion brackets, each sold separately.

Solve your outdoor lighting problems with the most complete and versatile line of LED area lights in the industry.



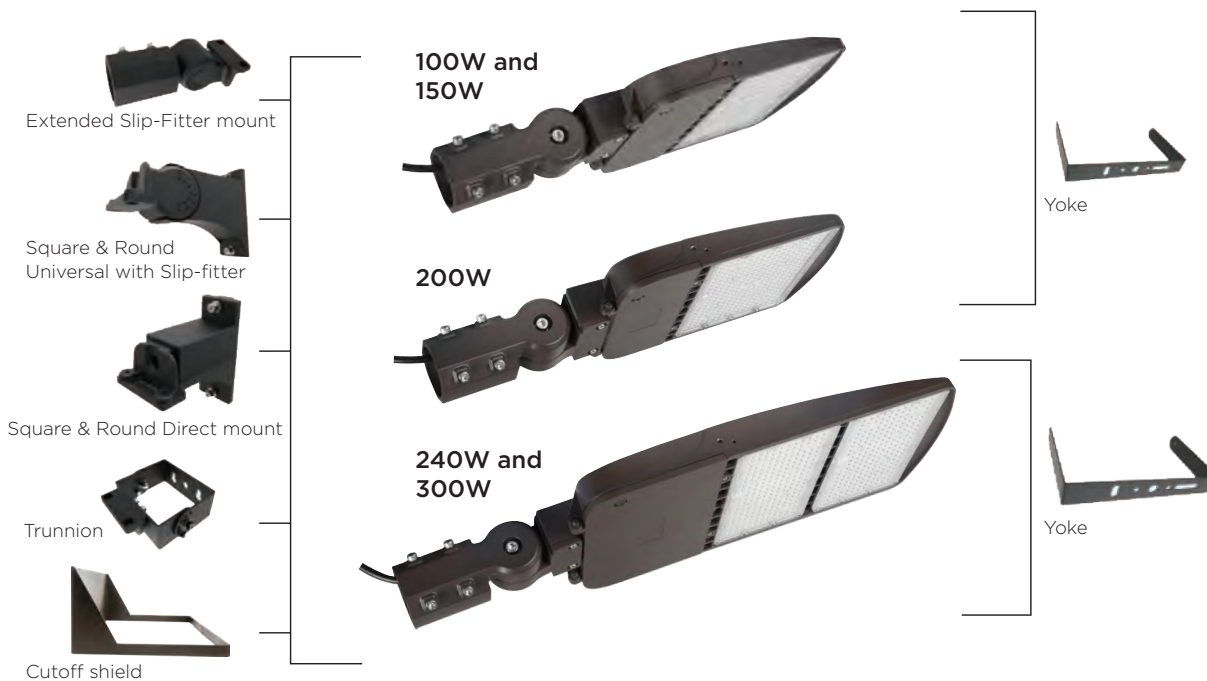
SATCO **NUVO FUNCTIONAL**

LED AREA LIGHTS

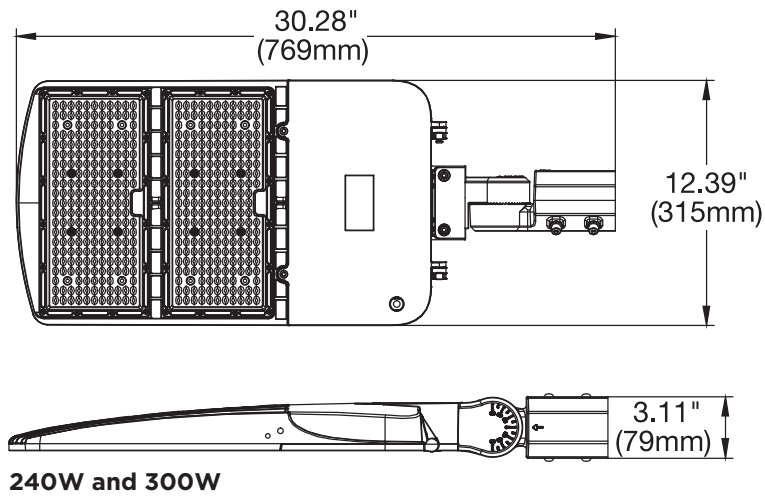
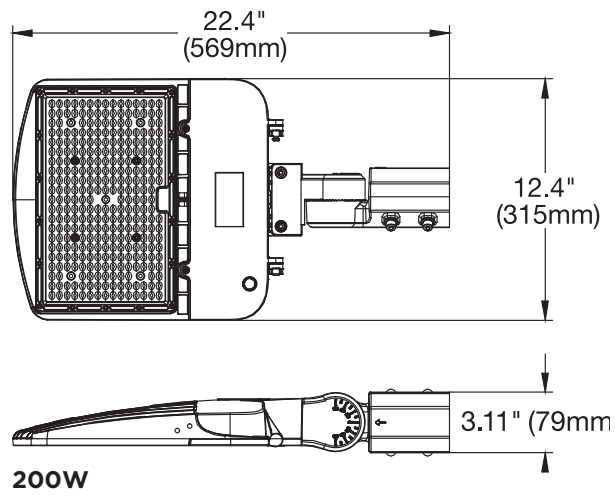
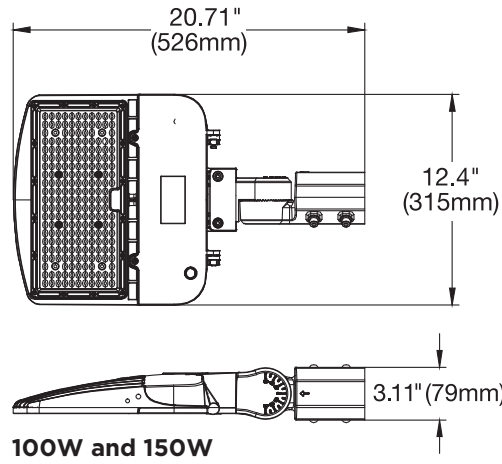


ITEM	DESCRIPTION	W	V	CCT	LM	DIMENSIONS	UPC
65/840	120-277V/4000K/BRONZE	100W	100-277V	4000K	13793	W 20.71 x H 12.4	045923651458
65/841	120-277V/5000K/BRONZE	100W	100-277V	5000K	13793	W 20.71 x H 12.4	045923651465
65/842	120-277V/4000K/BRONZE	150W	100-277V	4000K	19507	W 20.71 x H 12.4	045923651472
65/843	120-277V/5000K/BRONZE	150W	100-277V	5000K	19736	W 20.71 x H 12.4	045923651489
65/844	120-277V/4000K/BRONZE	200W	100-277V	4000K	26051	W 22.4 x H 12.4	045923651496
65/845	120-277V/5000K/BRONZE	200W	100-277V	5000K	26536	W 22.4 x H 12.4	045923651502
65/846	120-277V/4000K/BRONZE	240W	100-277V	4000K	31481	W 30.28 x H 12.39	045923651656
65/847	120-277V/5000K/BRONZE	240W	100-277V	5000K	32585	W 30.28 x H 12.39	045923651663
65/848	120-277V/4000K/BRONZE	300W	100-277V	4000K	39815	W 30.28 x H 12.39	045923651670
65/849	120-277V/5000K/BRONZE	300W	100-277V	5000K	38988	W 30.28 x H 12.39	045923651687
65/850	100W LED AREA LIGHT TYPE III	100W	100-347V	4000K	13793	W 20.71 x H 12.4	045923651694
65/851	100W LED AREA LIGHT TYPE III	100W	100-347V	5000K	13793	W 20.71 x H 12.4	045923651700
65/852	150W LED AREA LIGHT TYPE III	150W	100-347V	4000K	19507	W 20.71 x H 12.4	045923652448
65/853	150W LED AREA LIGHT TYPE III	150W	100-347V	5000K	19736	W 20.71 x H 12.4	045923652455
65/854	200W LED AREA LIGHT TYPE III	200W	100-347V	4000K	26051	W 22.4 x H 12.4	045923652462
65/855	200W LED AREA LIGHT TYPE III	200W	100-347V	5000K	26536	W 22.4 x H 12.4	045923652479
65/856	240W LED AREA LIGHT TYPE III	240W	100-347V	4000K	31481	W 30.28 x H 12.39	045923652486
65/857	240W LED AREA LIGHT TYPE III	240W	100-347V	5000K	32585	W 30.28 x H 12.39	045923652493
65/858	300W LED AREA LIGHT TYPE III	300W	100-347V	4000K	39815	W 30.28 x H 12.39	045923652509
65/859	300W LED AREA LIGHT TYPE III	300W	100-347V	5000K	38988	W 30.28 x H 12.39	045923652561
65/860	100W LED AREA LIGHT TYPE III	100W	277-480V	4000K	13793	W 20.71 x H 12.4	045923652578
65/861	100W LED AREA LIGHT TYPE III	100W	277-480V	5000K	13793	W 20.71 x H 12.4	045923652585
65/862	150W LED AREA LIGHT TYPE III	150W	277-480V	4000K	19507	W 20.71 x H 12.4	045923652592
65/863	150W LED AREA LIGHT TYPE III	150W	277-480V	5000K	19736	W 20.71 x H 12.4	045923652608
65/864	200W LED AREA LIGHT TYPE III	200W	277-480V	4000K	26051	W 22.4 x H 12.4	045923652660
65/865	200W LED AREA LIGHT TYPE III	200W	277-480V	5000K	26536	W 22.4 x H 12.4	045923652677
65/866	240W LED AREA LIGHT TYPE III	240W	277-480V	4000K	31481	W 30.28 x H 12.39	045923652684
65/867	240W LED AREA LIGHT TYPE III	240W	277-480V	5000K	32585	W 30.28 x H 12.39	045923652691
65/868	300W LED AREA LIGHT TYPE III	300W	277-480V	4000K	39815	W 30.28 x H 12.39	045923652707
65/869	300W LED AREA LIGHT TYPE III	300W	277-480V	5000K	38988	W 30.28 x H 12.39	045923652752

ACCESSORIES



ITEM	DESCRIPTION	2ND DESCRIPTION	MASTER PACK	UPC	MASTER UPC
65/870	AREA LIGHT UNIVERSAL MOUNT	DIRECT & SLIP-FITTER MNT BRZ	8	045923652769	10045923652766
65/871	AREA LIGHT DIRECT MOUNT	SQUARE/ROUND POLE MOUNT BRZ	8	045923652776	10045923652773
65/872	AREA LIGHT TRUNNION MOUNT	BRONZE FINISH	8	045923652783	10045923652780
65/873	AREA LIGHT YOKE MOUNT	100W/150W/200W BRONZE	8	045923652790	10045923652797
65/874	AREA LIGHT YOKE MOUNT	240W/300W BRONZE	8	045923652806	10045923652803
65/875	AREA LIGHT EXT SLIP-FITTER	WITH SENSOR KNOCKOUTS BRONZE	8	045923653186	10045923653183
65/876	AREA LIGHT FIXED ARM MOUNT	WITH SENSOR KNOCKOUTS BRONZE	8	045923653193	10045923653190
65/877	AREA LIGHT CUTOFF SHIELD	BRONZE FINISH	8	045923653209	10045923653206
86/221	AREA LIGHT PHOTOCELL/SOCKET	100-277V FOR 100W/200W	50	045923862212	10045923862219
86/222	AREA LIGHT PHOTOCELL/SOCKET	100-277V FOR 240W/300W	50	045923862229	10045923862226
86/223	AREA LIGHT PHOTOCELL/SOCKET	277-480V	50	045923862236	10045923862233
86/224	AREA LIGHT SURGE SUPPRESSOR	10KV - 100-277V	50	045923862243	10045923862240
86/225	AREA LIGHT SURGE SUPPRESSOR	10KV - 277-480V	50	045923862250	10045923862257
86/226	AREA LIGHT 12-24V PIR SENSOR	277-480V	50	045923862267	10045923862264
86/227	AREA LIGHT PIR SENSOR	100-277V	50	045923862274	10045923862271
86/228	AREA LIGHT MICROWAVE SENSOR	100-277V	50	045923862281	10045923862288



**SUPERIOR LED LIGHT
AND SELECTABLE CCT.**

**A SMALL WALL PACK
SOLUTION WITH A
BIG IMPACT.**



ColorQuick™

Switch to/from the following CCT



**3000K/4000K/5000K
SELECTABLE**

**INTEGRATED PHOTOCELL
(BY-PASSABLE)**

**COMPACT DESIGN WITH
MULTIPLE 1/2" NPT
KNOCKOUTS**

**BLACK, BRONZE OR
WHITE
FINISHES**

0-10V DIMMABLE

WET LOCATION, IP65



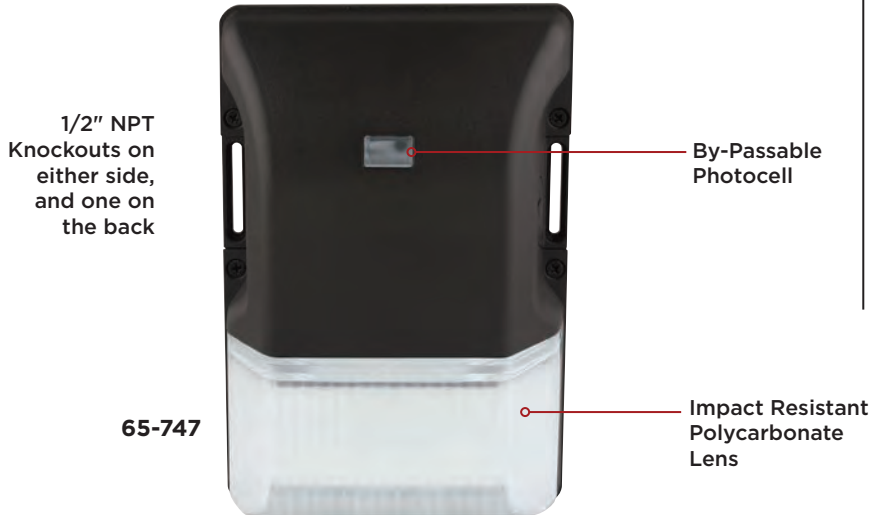
Our new CCT Selectable rectangular compact wall packs are the latest expansion in the popular line of SATCO's commercial luminaires. They deliver superior LED light output while keeping energy use and maintenance low. And the convenient, easy to use CCT selection switch inside the fixture, allows you to choose from 3000K, 4000K and 5000K at installation.

A by-passable photocell for dusk to dawn operation, multiple knockout points for pass-through wiring and with a wet location IP65 rating, these maintenance-free LED fixtures are ready for whatever outdoor conditions come their way. Perfect for multi-unit housing, light commercial, residential, and more.



SATCO NUVO FUNCTIONAL

LED CCT SELECTABLE SMALL RECTANGULAR WALL PACK



3000K/4000K/5000K Selectable
 Integrated by-passable photocell for dusk to dawn operation
 Compact, durable die-cast aluminum
 Multiple 1/2" NPT knockouts
 All weather conditions, IP65 rating
 2.5KV Surge protection
 Long lasting, maintenance-free LED light
 0-10V Dimmable

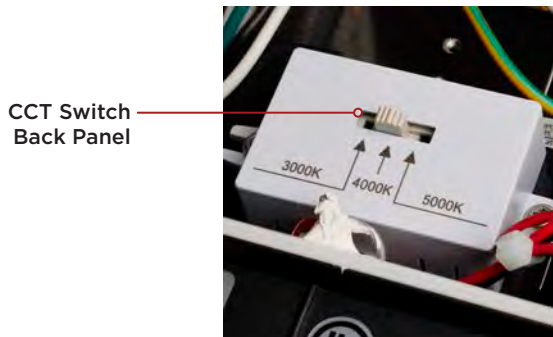
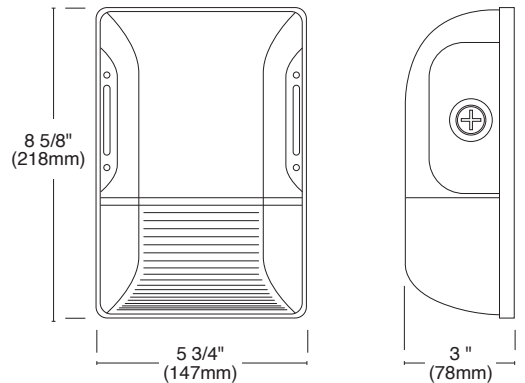


Illustration shows location of selectable switch behind backplate enclosure



20 WATTS
120-277V
ColorQuick
2608-2920 LUMENS
0-10V DIMMING
50,000 HOURS
80 CRI
100-150W EQUIVALENT
FC
RoHS COMPLIANT
UL LISTED
DLC

Item	Description	Finish	CCT Selectable	Lm	UPC	Pack
65-747	LED SMALL 20W WALL PACK	BLACK	3K/4K/5K	2608-2920	045923657474	10
65-748	LED SMALL 20W WALL PACK	BRONZE	3K/4K/5K	2608-2920	045923657481	10
65-749	LED SMALL 20W WALL PACK	WHITE	3K/4K/5K	2608-2920	045923657498	10

SATCO DISTRIBUTION CENTERS

NEW YORK (HQ)
 110 HEARTLAND BLVD
 BRENTWOOD, NY 11717
 T. 631-243-2022
 F. 631-243-2027

TEXAS
 2000 VALWOOD PKWY
 FARMERS BRANCH, TX 75234
 T. 972-247-2437
 F. 972-247-5408

FLORIDA
 1694 NW 215TH ST
 MIAMI GARDENS, FL 33056
 T. 305-624-2044
 F. 305-623-0286

CALIFORNIA
 31288 SAN BENITO ST
 HAYWARD, CA 94544
 T. 510-487-4822
 F. 510-487-8955

WASHINGTON
 4710 116TH ST SW
 MUKILTEO, WA 98275
 T. 425-789-3300
 F. 425-789-3310

PUERTO RICO
 CAMPECHE STREET, 23
 JULIO N. MATOS INDUSTRIAL PARK
 CAROLINA, PR 00984
 T. 787-757-3510
 F. 787-757-3540

Products inventoried in Canada & Mexico, contact: internationalsales@satco.com / 631-243-2022 Ext. 315

NEW!

**CCT & WATTAGE SELECTABLE
LED WALL PACKS - NOW WITH
INTEGRATED EM VERSIONS**

**THE POWER TO OPTIMIZE
EXTERIOR LIGHTING**

New CCT & Wattage selectable
LED Wall Packs — now with
integrated emergency battery
backup versions



PowerQuick™
Wattage Selectable



ColorQuick™
Selectable Color Technology

Switch to/from the following CCT
3000K 4000K 5000K



**POWER QUICK™ TECHNOLOGY
3 SELECTABLE WATTAGES**

**COLOR QUICK™ TECHNOLOGY
3 SELECTABLE CCTS**

**IP65 RUGGED,
ALL WEATHER DURABILITY**

**INTEGRATED EMERGENCY
BATTERY BACKUP VERSIONS**

**INTEGRATED BY-PASSABLE
PHOTOCELL**

DLC PREMIUM

50,000 HOURS LONG LIFE

Satco's Wall Pack Line expands with features that optimize inventory, PowerQuick™ selectable wattage, ColorQuick™ selectable CCT and integrated by-passable photocell.

Rugged, aluminum die-cast construction with an IP65 rating and 4KV Surge protection. SATCO's wall packs are built tough, plus 50k hours of superior, no maintenance LED light protected by durable, thermal and shock resistant borosilicate glass. Offered in traditional style full footprint and semi-cutoff style full footprint to minimize light trespass, and DLC premium listed for utility rebates where applicable. These fixtures pack superior value!



SATCO NUVO FUNCTIONAL

**LED WALL PACKS -
INTEGRATED EMERGENCY BATTERY
BACKUP VERSIONS**

Wattage & CCT Selectable
 Integrated By-Passable Photocell
 120-277V & 120-347V Traditional Full
 Footprint Options
 Semi-Cutoff Full Footprint Options
 4KV Surge Protection 65-754 to 65-758
 10KV 65-760 to 65-762
 Integrated Emergency Battery Back Up:
 16W/1120 Lumens/90 Minute Run Time



Wattage Selectable Switch

	29W/40W/60W	80W/100W/120W
3	3=60W	3=120W
2	2=40W	2=100W
1	1=29W	1=80W

Color Temperature Selectable (CCT) Switch



Item#	Description	W	V	CCT	LM	CRI	Life/Hrs.	UPC	Pack
LED Wall Pack CCT & Wattage Adjustable									
65-754	LED WALL PACK CCT & WATT ADJ WITH INTEGRATED EM	29W/40W/60W	120-277	3000K/4000K/5000K	4060-8640	80	50K	045923658792	1
65-755	LED WALL PACK CCT & WATT ADJ	29W/40W/60W	120-277	3000K/4000K/5000K	4060-8640	80	50K	045923670756	1
65-756	LED WALL PACK CCT & WATT ADJ	80W/100W/120W	120-277	3000K/4000K/5000K	11200-17280	80	50K	045923670763	1
65-757	LED WALL PACK CCT & WATT ADJ	29W/40W/60W	120-347	3000K/4000K/5000K	4118-8700	80	50K	045923670770	1
65-758	LED WALL PACK CCT & WATT ADJ	80W/100W/120W	120-347	3000K/4000K/5000K	11360-17400	80	50K	045923670787	1
LED Semi-Cutoff Wall Pack CCT & Wattage Adjustable									
65-760	LED SEMI-CUTOFF WALL PACK CCT&WATT	29W/40W/60W	120-277	3000K/4000K/5000K	3915-8400	80	50K	045923670794	1
65-761	LED SEMI-CUTOFF WALL PACK CCT&WATT	80W/100W/120W	120-277	3000K/4000K/5000K	10800-15600	80	50K	045923670800	1
65-762	LED SEMI-CUTOFF WALL PACK CCT&WATT ADJ WITH INTEGRATED EM	29W/40W/60W	120-277	3000K/4000K/5000K	3915-8400	80	50K	045923658808	1

SATCO DISTRIBUTION CENTERS

NEW YORK (HQ)
 110 HEARTLAND BLVD
 BRENTWOOD, NY 11717
 T. 631-243-2022
 F. 631-243-2027

TEXAS
 2000 VALWOOD PKWY
 FARMERS BRANCH, TX 75234
 T. 972-247-2437
 F. 972-247-5408

FLORIDA
 1694 NW 215TH ST
 MIAMI GARDENS, FL 33056
 T. 305-624-2044
 F. 305-623-0286

CALIFORNIA
 31288 SAN BENITO ST
 HAYWARD, CA 94544
 T. 510-487-4822
 F. 510-487-8955

WASHINGTON
 4710 116TH ST SW
 MUKILTEO, WA 98275
 T. 425-789-3300
 F. 425-789-3310

PUERTO RICO
 CAMPECHE STREET, 23
 JULIO N. MATOS INDUSTRIAL PARK
 CAROLINA, PR 00984
 T. 787-757-3510
 F. 787-757-3540

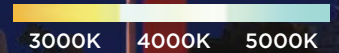
Products inventoried in Canada & Mexico, contact: internationalsales@satco.com / 631-243-2022 Ext. 315

**VERSATILITY
AND VALUE-PACKED,
SATCO'S COLORQUICK™
CANOPY FIXTURES**



ColorQuick™

Switch to/from the following CCT



**COLOR SELECTABLE -
3000K / 4000K / 5000K**

DLC PREMIUM CERTIFIED

5 WATTAGE OPTIONS

1-10V DIMMING

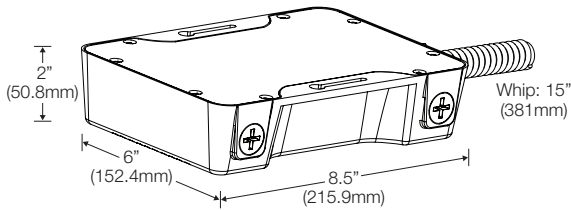
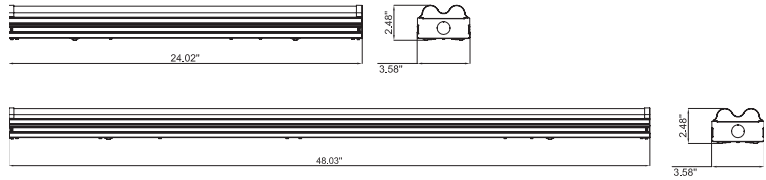
IP65

**PENDANT MOUNTING
OPTION**

Our latest LED canopy fixture combines rugged construction and versatility. With selectable color temperature (3000K/4000K/5000K) and surface and pendant mount options, these canopy lights can cover a multitude of applications. Our LED canopy fixtures are easy to install and at home in tough environments.



SATCO NUVO FUNCTIONAL



65-629, 65-630,
65-631, 65-632

65-623, 65-624, 65-625,
65-626, 65-627, 65-628



65-622

15W, 90 Min. run time emergency
battery back up

Emergency Function

Emergency Driver	Luminous Flux	Charging Time	Emergency Time
15W	2300lm	>24 Hours	>90 Minutes



Item	Description	W	Voltage	Finish	CRI	CCT	Lm	Bm	Life/ Hrs	UPC	Pk
65-623	25W LED CANOPY LIGHT	25	100-277	White	80	3000/4000/5000	2800-3322	150°	50K	045923674228	4
65-624	25W LED CANOPY LIGHT	25	100-277	Bronze	80	3000/4000/5000	2800-3322	150°	50K	045923674235	4
65-625	40W LED CANOPY LIGHT	40	100-277	White	80	3000/4000/5000	4425-5293	150°	50K	045923674242	4
65-626	40W LED CANOPY LIGHT	40	100-277	Bronze	80	3000/4000/5000	4425-5293	150°	50K	045923674259	4
65-627	55W LED CANOPY LIGHT	55	100-277	White	80	3000/4000/5000	6297-7546	150°	50K	045923674266	4
65-628	55W LED CANOPY LIGHT	55	100-277	Bronze	80	3000/4000/5000	6297-7546	150°	50K	045923674273	4
65-629	75W LED CANOPY LIGHT	75	100-277	White	80	3000/4000/5000	8876-10485	150°	50K	045923674280	2
65-630	75W LED CANOPY LIGHT	75	100-277	Bronze	80	3000/4000/5000	8876-10485	150°	50K	045923674297	2
65-631	100W LED CANOPY LIGHT	100	100-277	White	80	3000/4000/5000	11946-13999	150°	50K	045923674303	2
65-632	100W LED CANOPY LIGHT	100	100-277	Bronze	80	3000/4000/5000	11946-13999	150°	50K	045923674310	2
Accessories											
65-622	ADD-ON EMERGENCY BATTERY BACKUP									045923613760	5
86-213	ADD-ON MICROWAVE SENSOR			White						045923862137	50

SATCO DISTRIBUTION CENTERS

NEW YORK (HQ)
110 HEARTLAND BLVD
BRENTWOOD, NY 11717
T. 631-243-2022
F. 631-243-2027

TEXAS
2000 VALWOOD PKWY
FARMERS BRANCH, TX 75234
T. 972-247-2437
F. 972-247-5408

FLORIDA
1694 NW 215TH ST
MIAMI GARDENS, FL 33056
T. 305-624-2044
F. 305-623-0286

CALIFORNIA
31288 SAN BENITO ST
HAYWARD, CA 94544
T. 510-487-4822
F. 510-487-8955

WASHINGTON
4710 116TH ST SW
MUKILTEO, WA 98275
T. 425-789-3300
F. 425-789-3310

PUERTO RICO
CAMPECHE STREET, 23
JULIO N. MATOS INDUSTRIAL PARK
CAROLINA, PR 00984
T. 787-757-3510
F. 787-757-3540

Products inventoried in Canada & Mexico, contact: internationalsales@satco.com / 631-243-2022 Ext. 315

**SLEEK DESIGN, ALL-WEATHER
CONSTRUCTION & SUPERIOR
LED LIGHT OUTPUT,
THESE ARE MADE FOR
THE TOUGHEST APPLICATIONS**



28, 40W, 60W AND 70W OPTIONS

4000K AND 5000K OPTIONS

8.5" & 10" SIZES

**CEILING OR
3/4" PENDANT MOUNTING**

IP65

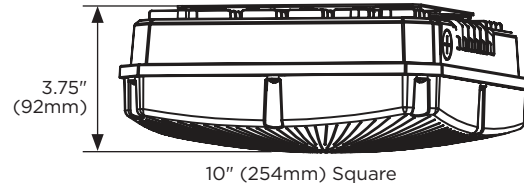
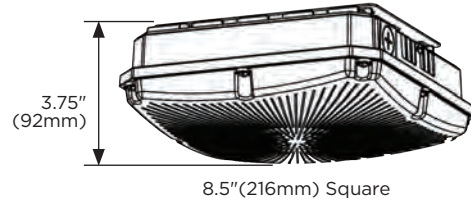
**OPTIONAL MICROWAVE SENSOR,
PHOTCELL AND
ADD-ON EM AVAILABLE**



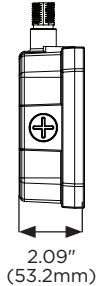
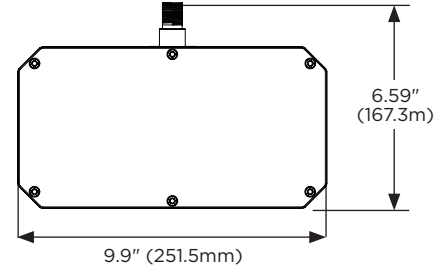
Our square LED canopy fixtures are engineered for the toughest applications. Their sleek design makes them perfect for spaces with constrained height and wherever efficient, clean LED light is a must. They are easy to install and will stand up to the harshest environments.



SATCO NUVO FUNCTIONAL



65-150
9W, 90 Min. run time
emergency battery backup



Item	Description	W	CCT	Lm	Pack
65-138	8.5" Square Canopy - Bronze	28	4000K	3360	6
65-139	8.5" Square Canopy - Bronze	28	5000K	3360	6
65-140	8.5" Square Canopy - Bronze	40	4000K	4800	6
65-141	8.5" Square Canopy - Bronze	40	5000K	4800	6
65-142	10" Square Canopy - Bronze	28	4000K	3360	4
65-143	10" Square Canopy - Bronze	28	5000K	3360	4
65-144	10" Square Canopy - Bronze	40	4000K	4800	4
65-145	10" Square Canopy - Bronze	40	5000K	4800	4
65-146	10" Square Canopy - Bronze	60	4000K	7200	4
65-147	10" Square Canopy - Bronze	60	5000K	7200	4
65-148	10" Square Canopy - Bronze	70	4000K	8400	4
65-149	10" Square Canopy - Bronze	70	5000K	8400	4
Accessories					
65-150	Add-on Emergency Battery Backup				10
86-203	Add-on Microwave Sensor				100
86-204	Add-on Photocell				100

*Consult Satco or visit www.satco.com for an up to date dimmer compatibility list.

SATCO DISTRIBUTION CENTERS

NEW YORK (HQ)
110 HEARTLAND BLVD
BRENTWOOD, NY 11717
T. 631-243-2022
F. 631-243-2027

TEXAS
2000 VALWOOD PKWY
FARMERS BRANCH, TX 75234
T. 972-247-2437
F. 972-247-5408

FLORIDA
1694 NW 215TH ST
MIAMI GARDENS, FL 33056
T. 305-624-2044
F. 305-623-0286

CALIFORNIA
31288 SAN BENITO ST
HAYWARD, CA 94544
T. 510-487-4822
F. 510-487-8955

WASHINGTON
4710 116TH ST SW
MUKILTEO, WA 98275
T. 425-789-3300
F. 425-789-3310

PUERTO RICO
CAMPECHE STREET, 23
JULIO N. MATOS INDUSTRIAL PARK
CAROLINA, PR 00984
T. 787-757-3510
F. 787-757-3540

Products inventoried in Canada & Mexico, contact: internationalsales@satco.com / 631-243-2022 Ext. 315

**INTRODUCING OUR
MOST VERSATILE
VAPOR TIGHT FIXTURES.
CCT SELECTABLE AND
RGB VERSIONS WILL
MEET ANY APPLICATION
REQUIREMENT.**



90° ADJUSTABLE ARM

RED/GREEN/BLUE SELECTABLE

3000K/4000K/5000K SELECTABLE

WALL OR CEILING MOUNT

**DURABLE DIE-CAST ALUMINUM BODY
AND PROTECTIVE STEEL CAGE**

GRAY FINISH

IP65

ENERGY STAR

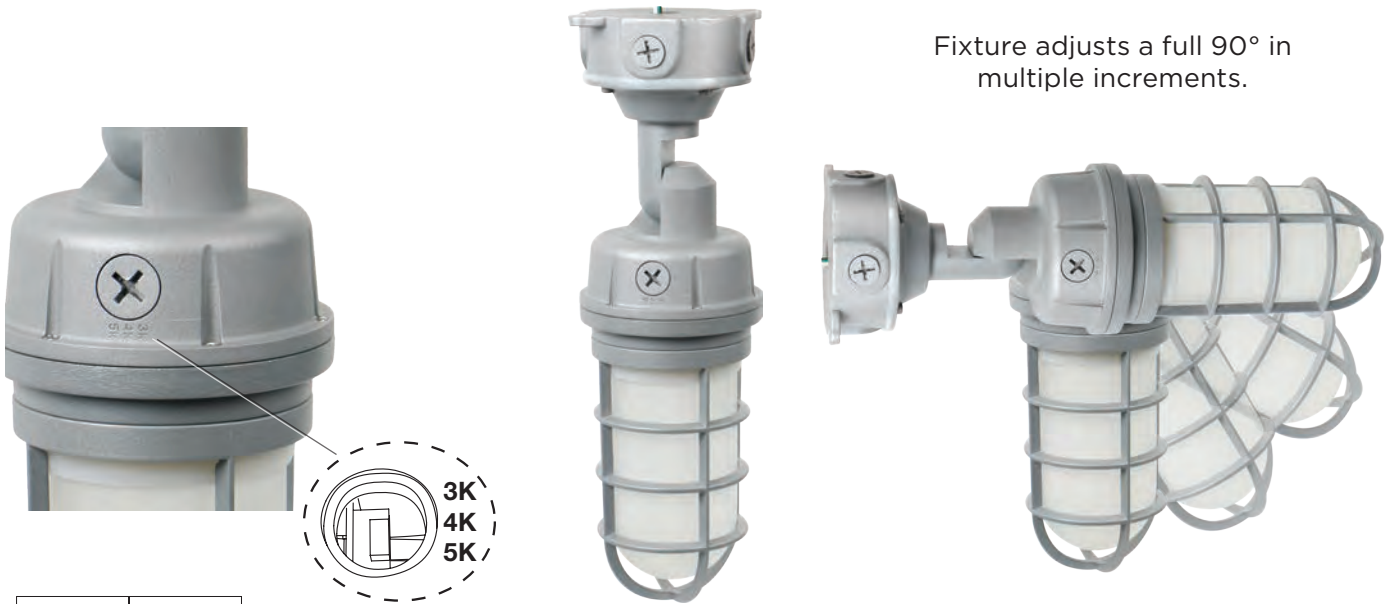


ColorQuick™

Selectable Color Technology



Our latest LED vapor tight fixture offers all the advantages of superior, cost-saving LED light and now two new features—CCT or Red/Green/Blue selectable versions—for more versatility. One fixture can be used to cover both standard lighting and safety indications within the same project. Specify one fixture, cover more requirements and reduce installation/maintenance time.

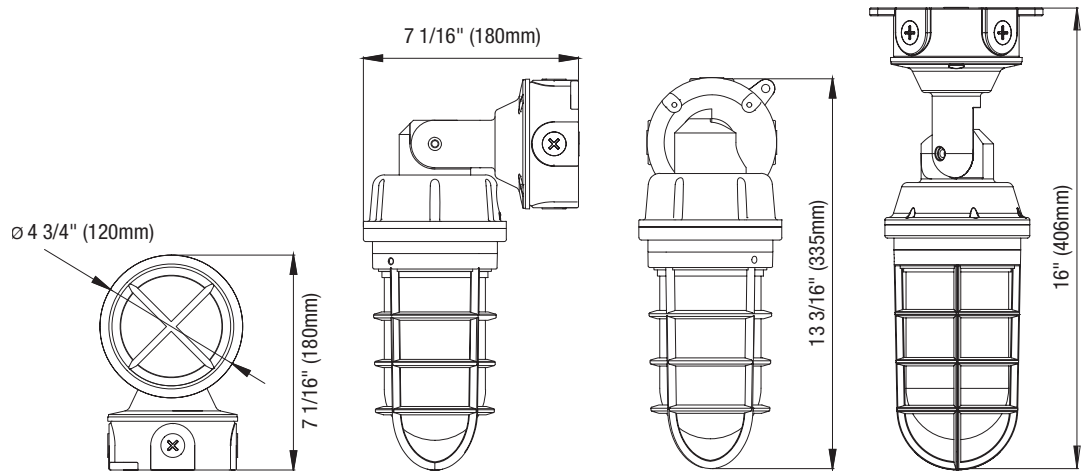


Fixture adjusts a full 90° in multiple increments.

65-550 Option 1	65-551 Option 2
3K	R
4K	G
5K	B

Select the CCT setting (Model 65-550) or the RGB setting (Model 65-551).

Red/Green/Blue selectable
 Red: 500 Lumens
 Green: 1000 Lumens
 Blue: 200 Lumens



20 WATTS
CCT SELECTABLE
WET LOCATION
120-277V
2KV SURGE PROTECTION
80 CRI
50,000 HOURS
5 Year Warranty
ENERGY STAR
FC
RoHS COMPLIANT
ETL LISTED US

Item	Description	W	CCT	Lm	UPC	Pk
65-550*	GRAY/20W - 3K/4K/5K SELECTABLE	20	3000K/4000K/5000K	1700-2000	045923653087	6
65-551	GRAY/20W - RGB SELECTABLE	20	Red/Green/Blue	Red: 500lms/Green: 1000lms/Blue: 200lms	045923653094	6

SATCO DISTRIBUTION CENTERS

- NEW YORK (HQ)**
 110 HEARTLAND BLVD
 BRENTWOOD, NY 11717
 T. 631-243-2022
 F. 631-243-2027
- TEXAS**
 2000 VALWOOD PKWY
 FARMERS BRANCH, TX 75234
 T. 972-247-2437
 F. 972-247-5408
- FLORIDA**
 900 NW 159TH DR
 MIAMI, FL 33169
 T. 305-624-2044
 F. 305-623-0286
- CALIFORNIA**
 31288 SAN BENITO ST
 HAYWARD, CA 94544
 T. 510-487-4822
 F. 510-487-8955
- WASHINGTON**
 4710 116TH ST SW
 MUKILTEO, WA 98275
 T. 425-789-3300
 F. 425-789-3310
- PUERTO RICO**
 CAMPECHE STREET, 23
 JULIO N. MATOS INDUSTRIAL PARK
 CAROLINA, PR 00984
 T. 787-757-3510
 F. 787-757-3540

Products inventoried in Canada & Mexico, contact: internationalsales@satco.com / 631-243-2022 Ext. 315

**NEW LENGTHS IN STRIP LIGHTING
TECHNOLOGY!**

STRIPS NOW IN 2' & 4'



Switch to/from the following CCT



Selectable Wattage



65-699



**CCT & WATTAGE
SELECTABLE**

**INTEGRATED EM AND
MICROWAVE SENSORS**

50K HOURS

The rugged quality construction and ease of installation built into SATCO's strip lights just proved a whole lot wiser a choice in utility lighting fixtures with the addition of CCT and wattage selectable technologies in their new 2' and 4' fixtures. With a quick release button for easy setting and additional options like emergency battery backup, microwave and PIR sensors; SATCO's new strip lights offer versatility and value in one great solution.



**OPTIONAL SUSPENSION
KITS AVAILABLE**



SATCO NUVO FUNCTIONAL

**CCT & WATTAGE SELECTABLE
2' & 4' STRIP LIGHTS**



Integrated MW Sensor has on/off and bi-level dimming capabilities down to 30%

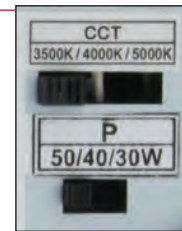
3500/4000/5000K CCT selectable

Selectable Wattage
30W/40W/50W (65-699)

0-10V Dimming

65-698 - EM mode: 4W/90 min. run time
65-699 - EM mode: 8W/90 min. run time

2KV Surge Protection



CCT Switch & Wattage Switch

24" (610 mm)

48" (1219 mm)



Item	Description	Wattage Selectable	Voltage	CCT Selectable	Lm	CRI	Life/Hrs.	UPC	Pack
65-698	2' LINEAR STRIP W/ EM & SENSOR	2t0W	100-277V	3500/4000/5000	2735-2830	80	50K	045923653599	8
65-699	4' LINEAR STRIP W/ EM & SENSOR	30W/40W/50W	100-277V	3500/4000/5000	3900-6750	80	50K	045923653605	6
Accessories									
65-706	2' & 4' SUSPENSION KIT — 59" SUSPENSION LENGTH — Includes All Necessary Mounting Hardware							045923655791	50

SATCO DISTRIBUTION CENTERS

NEW YORK (HQ)
110 HEARTLAND BLVD
BRENTWOOD, NY 11717
T. 631-243-2022
F. 631-243-2027

TEXAS
2000 VALWOOD PKWY
FARMERS BRANCH, TX 75234
T. 972-247-2437
F. 972-247-5408

FLORIDA
1694 NW 215TH ST
MIAMI GARDENS, FL 33056
T. 305-624-2044
F. 305-623-0286

CALIFORNIA
31288 SAN BENITO ST
HAYWARD, CA 94544
T. 510-487-4822
F. 510-487-8955

WASHINGTON
4710 116TH ST SW
MUKILTEO, WA 98275
T. 425-789-3300
F. 425-789-3310

PUERTO RICO
CAMPECHE STREET, 23
JULIO N. MATOS INDUSTRIAL PARK
CAROLINA, PR 00984
T. 787-757-3510
F. 787-757-3540

Products inventoried in Canada & Mexico, contact: internationalsales@satco.com / 631-243-2022 Ext. 315

**INTRODUCING
“SHOTGUN” –
SUPERIOR ILLUMINATION
FOR HIGH DEMAND
APPLICATIONS**



**SLEEK DESIGN, RUGGED
CONSTRUCTION**

**AVAILABLE IN BLACK OR
WHITE TEXTURED FINISH**

10W / 20W / 30W VERSIONS

HIGH CRI & R9 VALUES

**MULTIPLE LUMEN AND
BEAM ANGLE OPTIONS**

DIMMABLE*



Our latest LED track heads are built to withstand the hard, everyday operation that comes with use in commercial settings while maintaining a consistent look and feel. With options to deliver superior, high lumen LED light, for more challenging venues where taller ceilings, larger spaces and safety are concerns; typically, problematic for lesser fixtures. Their enhanced performance and rugged construction make them perfect for light commercial, retail and hospitality applications. These track heads are constructed to deliver High CRI and R9 values to provide superior light quality for up to 50,000 hours



SATCO NUVO FUNCTIONAL

DESIGNER PERFORMANCE TRACK HEAD COLLECTION

Robust design, rugged construction

Black or white textured finish

10W, 20W and 30W options

High CRI(>93) & R9 values

Consistent look & feel

24° And 36° beam angles

Superior LED performance

Advanced optics for optimal light uniformity

Sleek design - stem seats in body creating architectural style

Rugged aluminum construction

Precise beam control

Long throw distance

Superior thermal management

Smooth dimming control*

10 Watt Elongated Cylinder



TH601 White 10W 24°
TH603 White 10W 36°



TH602 Black 10W 24°
TH604 Black 10W 36°

20 Watt Elongated Cylinder



TH611 White 20W 24°
TH613 White 20W 36°



TH612 Black 20W 24°
TH614 Black 20W 36°



30 Watt Elongated Cylinder



TH621 White 30W 24°
TH623 White 30W 36°

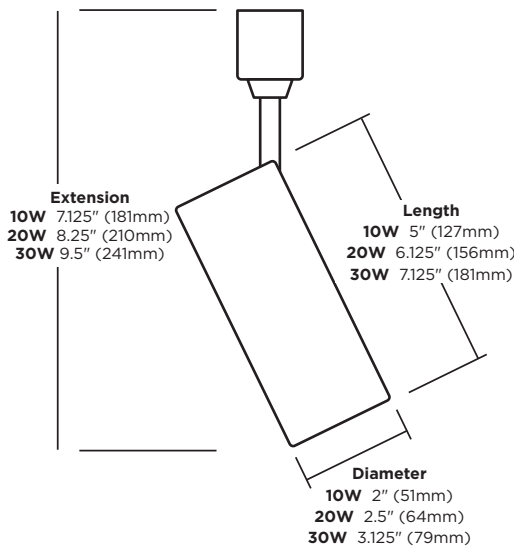
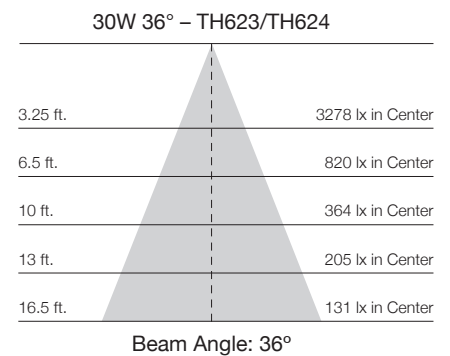
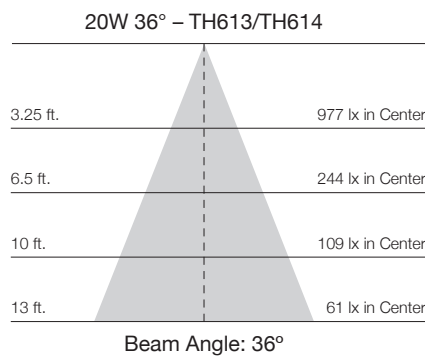
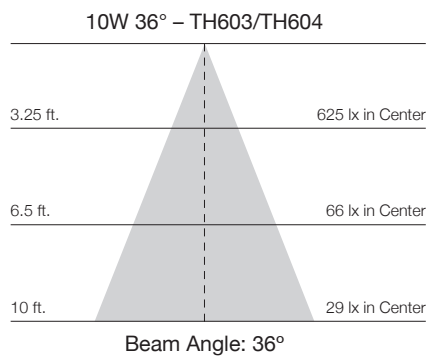
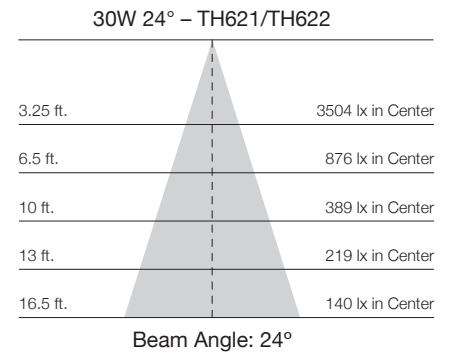
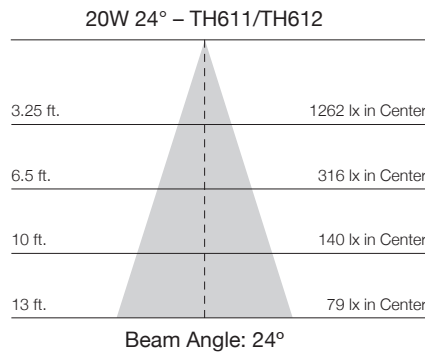
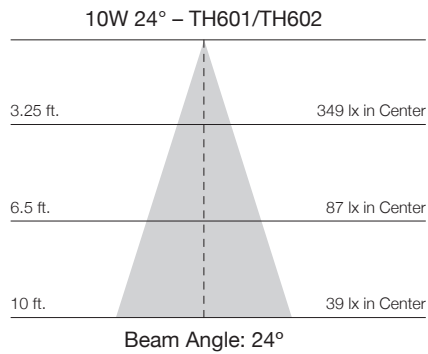


TH622 Black 30W 24°
TH624 Black 30W 36°

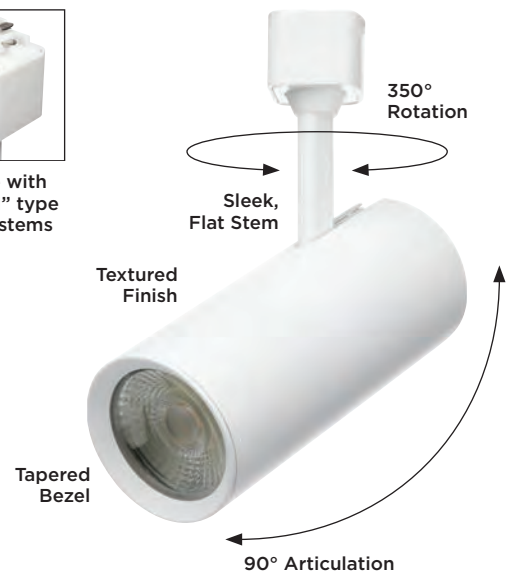
93 CRI
3000 K
120 VOLT
DIMMABLE
50,000 HOURS
5 Year Warranty
ETL LISTED
FC
Efficiency Standards California Title 24 Residential and Non-Residential Compliant

Item	Description	W	Finish	Lm	Beam Angle	Length	Dia.	Ext.	UPC	Pk
TH601	Pro Series - 10W - White - 24°	10W	White	600	24°	5"	2"	7 1/8"	045923405105	12
TH602	Pro Series - 10W - Black - 24°	10W	Black	600	24°	5"	2"	7 1/8"	045923405129	12
TH603	Pro Series - 10W - White - 36°	10W	White	600	36°	5"	2"	7 1/8"	045923405112	12
TH604	Pro Series - 10W - Black - 36°	10W	Black	600	36°	5"	2"	7 1/8"	045923405136	12
TH611	Pro Series - 20W - White - 24°	20W	White	1200	24°	6 1/8"	2 1/2"	8 1/4"	045923405143	12
TH612	Pro Series - 20W - Black - 24°	20W	Black	1200	24°	6 1/8"	2 1/2"	8 1/4"	045923405167	12
TH613	Pro Series - 20W - White - 36°	20W	White	1200	36°	6 1/8"	2 1/2"	8 1/4"	045923405150	12
TH614	Pro Series - 20W - Black - 36°	20W	Black	1200	36°	6 1/8"	2 1/2"	8 1/4"	045923405174	12
TH621	Pro Series - 30W - White - 24°	30W	White	2000	24°	7 1/8"	3 1/8"	9 1/2"	045923405181	12
TH622	Pro Series - 30W - Black - 24°	30W	Black	2000	24°	7 1/8"	3 1/8"	9 1/2"	045923405204	12
TH623	Pro Series - 30W - White - 36°	30W	White	2000	36°	7 1/8"	3 1/8"	9 1/2"	045923405198	12
TH624	Pro Series - 30W - Black - 36°	30W	Black	2000	36°	7 1/8"	3 1/8"	9 1/2"	045923405211	12

*See satco.com for dimmer compatibility.



For use with Satco "H" type track systems



Visit satco.com to see our entire assortment of track lighting

SATCO DISTRIBUTION CENTERS

NEW YORK (HQ)
110 HEARTLAND BLVD
BRENTWOOD, NY 11717
T. 631-243-2022
F. 631-243-2027

TEXAS
2000 VALWOOD PKWY
FARMERS BRANCH, TX 75234
T. 972-247-2437
F. 972-247-5408

FLORIDA
900 NW 159TH DR
MIAMI, FL 33169
T. 305-624-2044
F. 305-623-0286

CALIFORNIA
31288 SAN BENITO ST
HAYWARD, CA 94544
T. 510-487-4822
F. 510-487-8955

WASHINGTON
4710 116TH ST SW
MUKILTEO, WA 98275
T. 425-789-3300
F. 425-789-3310

PUERTO RICO
CAMPECHE STREET, 23
JULIO N. MATOS INDUSTRIAL PARK
CAROLINA, PR 00984
T. 787-757-3510
F. 787-757-3540

Products inventoried in Canada & Mexico, contact: internationalsales@satco.com / 631-243-2022 Ext. 315

**Smart security
solution delivering
peace of mind**



**NO MONTHLY
SUBSCRIPTION**

REAL-TIME MOTION EVENTS

**VIDEO HISTORY & NIGHT
VISION**

REMOTE ACCESS

**ADJUSTABLE LED
FLOODLIGHTS**

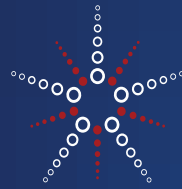
270° MOTION DETECTION

20W - 1900 LUMENS

3000K

IP65 WATERPROOF DESIGN

50,000 HOURS



STARFISH™
live life enl:ghtened

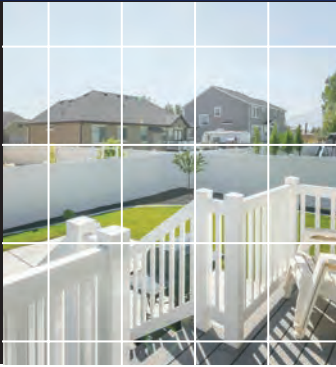
Introducing the next evolution in smart security devices. Satco's security floodlight camera, powered by Starfish™, provides the latest technology in home security and surveillance without the monthly subscription fees.

Video is stored directly to the local microSD card. Instantly view all recorded events seamlessly on your mobile device anywhere, any time.



ADVANCED MOTION DETECTION

Set motion zones and sensitivity of mobile alerts



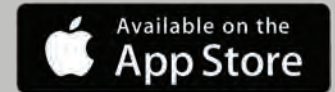
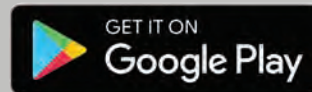
For an in-depth exploration of STARFISH™ features including the latest products, visit SATCOSTARFISH.COM



satcostarfish.com



Download app



HD VIDEO

1080P at 15fps;
 1920x1080;
 640x 480VQA

NIGHT VISION FEATURE

Infrared and flood lights allow you to see through the camera in low lit areas



ITEM	DESCRIPTION	W	V	DIMENSIONS	UPC
65-900	SECURITY LIGHT W/ CAMERA - WHITE	20W	120-240V	W 7.6 x H 10.04	045923659683
65-901	SECURITY LIGHT W/ CAMERA - BLACK	20W	120-240V	W 7.6 x H 10.04	045923659690
65-902	SECURITY LIGHT W/ CAMERA - BRONZE	20W	120-240V	W 7.6 x H 10.04	045923659706

SATCO DISTRIBUTION CENTERS

NEW YORK (HQ)
 110 HEARTLAND BLVD
 BRENTWOOD, NY 11717
 T. 631-243-2022
 F. 631-243-2027

TEXAS
 2000 VALWOOD PKWY
 FARMERS BRANCH, TX 75234
 T. 972-247-2437
 F. 972-247-5408

FLORIDA
 1694 NW 215TH ST
 MIAMI GARDENS, FL 33056
 T. 305-624-2044
 F. 305-623-0286

CALIFORNIA
 31288 SAN BENITO ST
 HAYWARD, CA 94544
 T. 510-487-4822
 F. 510-487-8955

WASHINGTON
 4710 116TH ST SW
 MUKILTEO, WA 98275
 T. 425-789-3300
 F. 425-789-3310

PUERTO RICO
 CAMPECHE STREET, 23
 JULIO N. MATOS INDUSTRIAL PARK
 CAROLINA, PR 00984
 T. 787-757-3510
 F. 787-757-3540

Products inventoried in Canada & Mexico, contact: internationalsales@satco.com / 631-243-2022 Ext. 315



To learn more about Satco | Nuvo,
visit satco.com or contact 800-437-2826.

DISTRIBUTION CENTERS

New York (Headquarters)

110 Heartland Blvd., Brentwood, NY 11717
Tel. 631-243-2022, Fax: 631-243-2027

Texas

2000 Valwood Parkway, Farmers Branch, TX 75234
Tel. 972-247-2437, Fax: 972-247-5408

Florida

1694 NW 215th Street, Miami Gardens, FL 33056
Tel. 305-624-2044, Fax: 305-623-0286

California

31288 San Benito Street, Hayward, CA 94544
Tel. 510-487-4822, Fax: 510-487-8955

Washington

4710 116th S.W., Mukilteo, WA 98275
Tel. 425-789-3300, Fax: 425-789-3310

Puerto Rico

Campeche Street. 23 Julio
N. Matos Industrial Park, Carolina, PR 00984
Tel. 787-757-3510, Fax: 787-757-3540

Products inventoried in Canada & Mexico:

Contact: internationalsales@satco.com
631-243-2022 Ext. 315